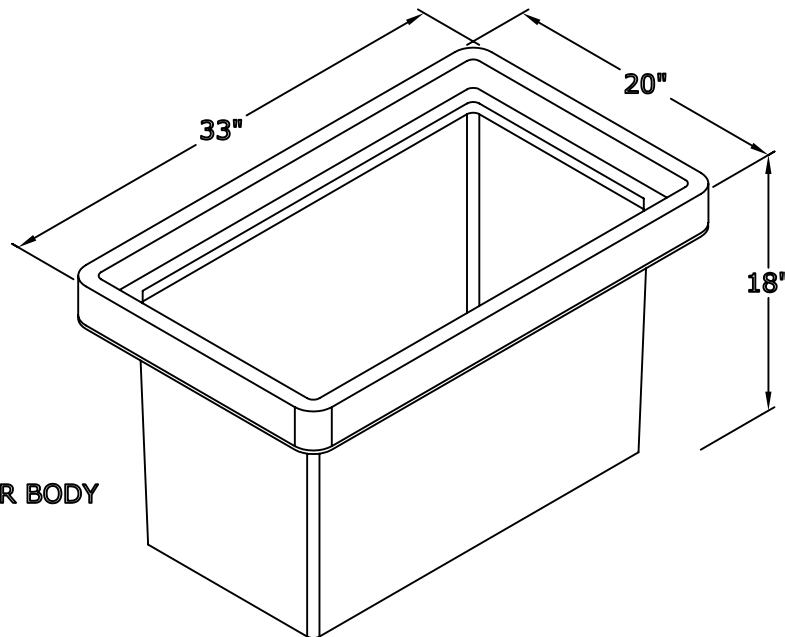
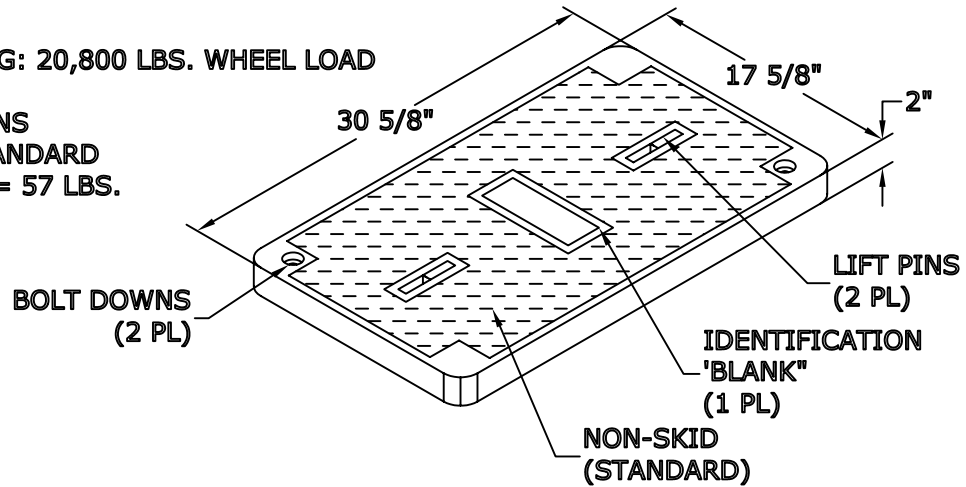


Date: 10/23/02
Part #: FCA173018S
Drawing #: FCA173018S

1730/18 FRP/PC
ASSEMBLY

COVER FEATURES:

- * STANDARD LOAD RATING: 20,800 LBS. WHEEL LOAD ON 10" X 20" PLATE
- * 2 BOLT DOWN LOCATIONS
- * NON-SKID SURFACE STANDARD
- * APPROXIMATE WEIGHT = 57 LBS.



BOX FEATURES:

- * POLYMER CONCRETE RING
- * FIBER REINFORCED POLYMER BODY
- * APPROX. WEIGHT 48 LBS.