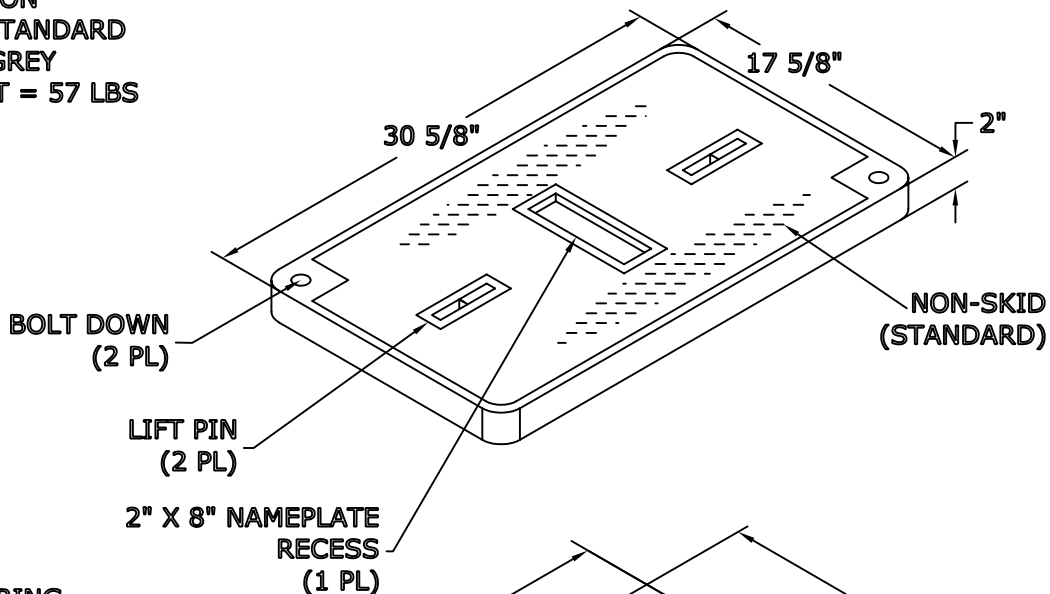


Date: 08/07/06  
Model #: FCA173024T

# 1730/24 FRP/PC ASSEMBLY

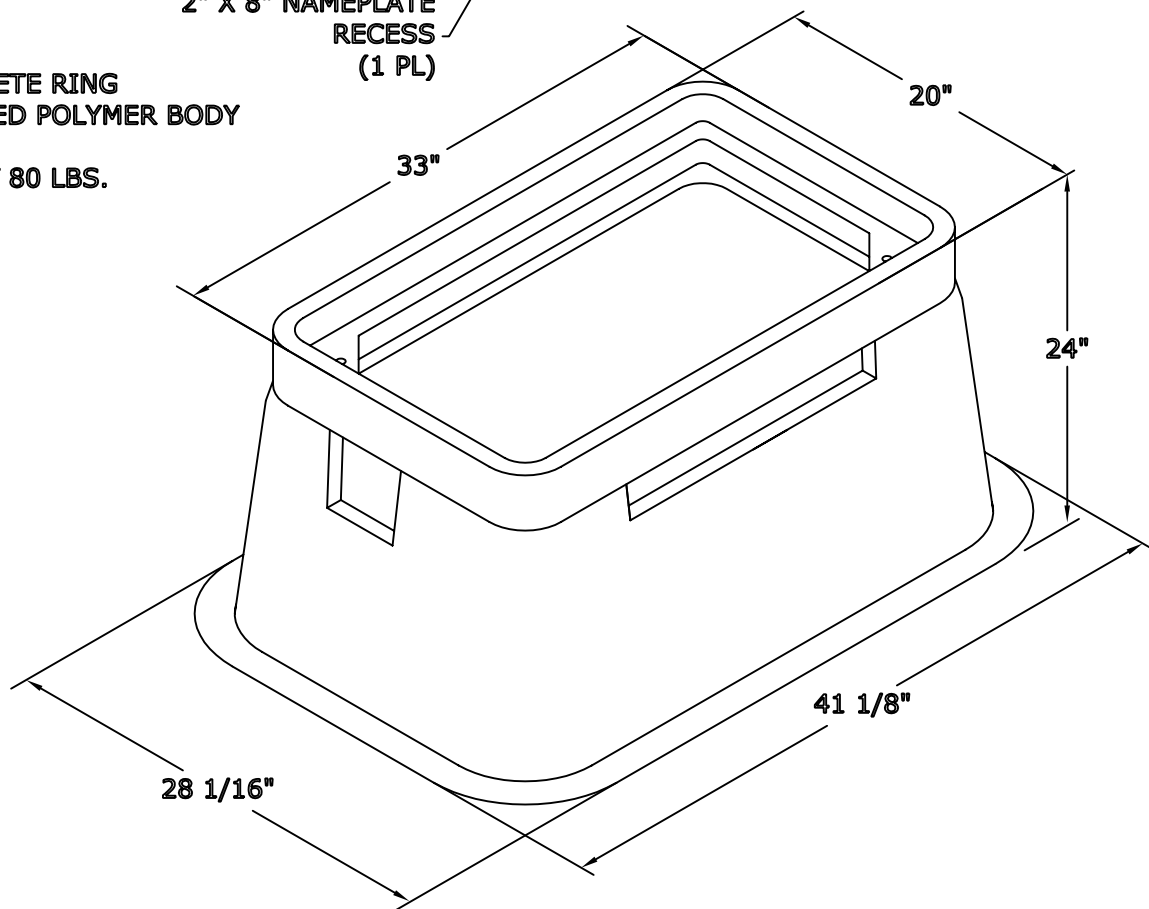
### COVER FEATURES:

- \* STANDARD LOAD RATING: 20,800 WHEEL LOAD ON 10" X 20" PLATE
- \* POLYMER CONCRETE CONSTRUCTION
- \* 2 BOLT DOWN LOCATION
- \* NON-SKID SURFACE STANDARD
- \* COLOR = CONCRETE GREY
- \* APPROXIMATE WEIGHT = 57 LBS



### BOX FEATURES:

- \* POLYMER CONCRETE RING
- \* FIBER REINFORCED POLYMER BODY
- \* LIGHTWEIGHT
- \* APPROX. WEIGHT 80 LBS.



NewBasis  
2626 Kansas Ave.  
Riverside, CA 92507

Phone (951)787-0600  
Fax (951)787-0632  
www.newbasis.com

**newbasis**