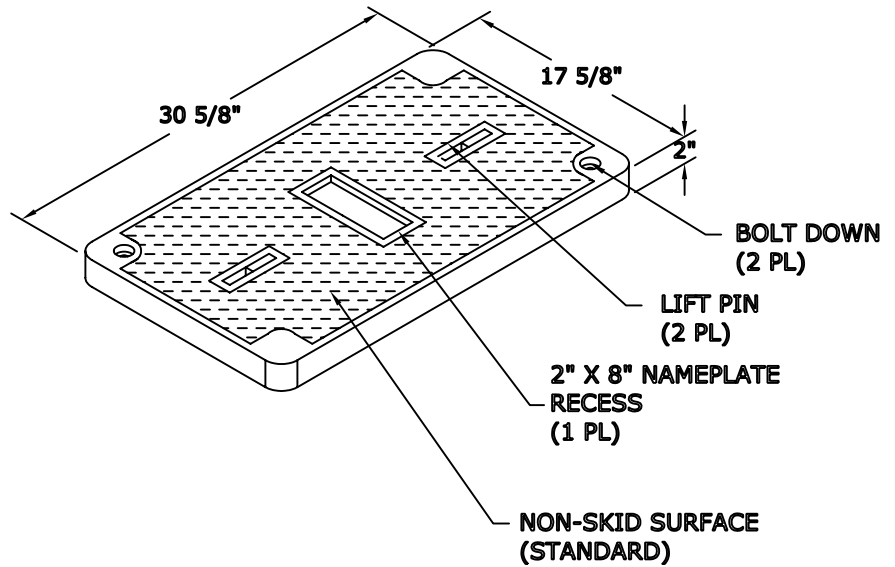


Date: 08/07/06
Model #: FCA173026T

1730/26 FRP/PC
ASSEMBLY

COVER FEATURES:

- * STANDARD LOAD RATING: 20,800 LBS. WHEEL LOAD ON 10" X 20" PLATE
- * 2 BOLT DOWN LOCATIONS
- * STAINLESS STEEL BOX INSERTS
- * POLYMER CONCRETE CONSTRUCTION
- * NON-SKID SURFACE STANDARD
- * APPROX. WEIGHT 57 LBS.



BOX FEATURES:

- * POLYMER CONCRETE CONSTRUCTION ON RING
- * FIBER REINFORCED POLYMER CONSTRUCTION ON BODY
- * COLOR = CONCRETE GREY
- * APPROX. WEIGHT 105 LBS.

