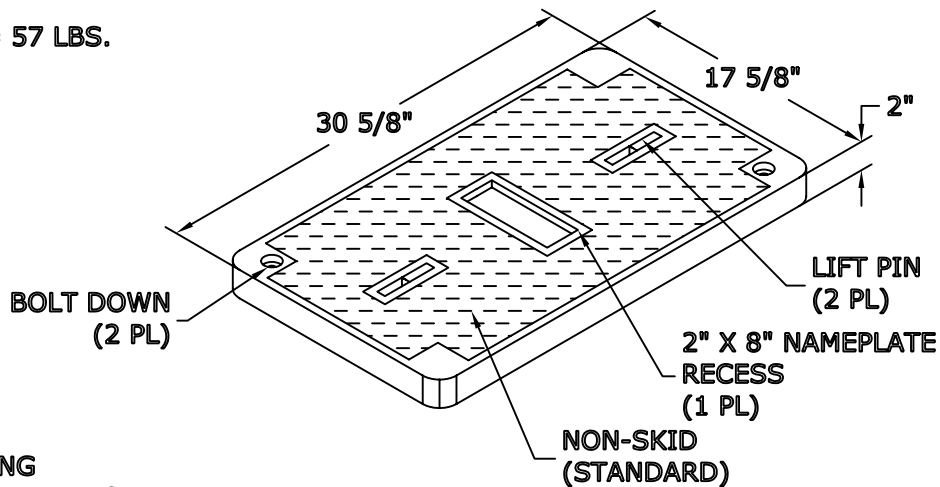


Date: 08/07/06  
Model #: FCA173030S

1730/30 FRP/PC  
ASSEMBLY

**COVER FEATURES:**

- \* 2 BOLT DOWN LOCATIONS
- \* POLYMER CONCRETE CONSTRUCTION
- \* NON-SKID SURFACE STANDARD
- \* STANDARD LOAD RATING: 20,800 LBS. WHEEL LOAD ON 10" X 20" PLATE
- \* APPROXIMATE WEIGHT = 57 LBS.



**BOX FEATURES:**

- \* POLYMER CONCRETE RING
- \* FIBER REINFORCED POLYMER BODY
- \* APPROX. WEIGHT 85 LBS.

