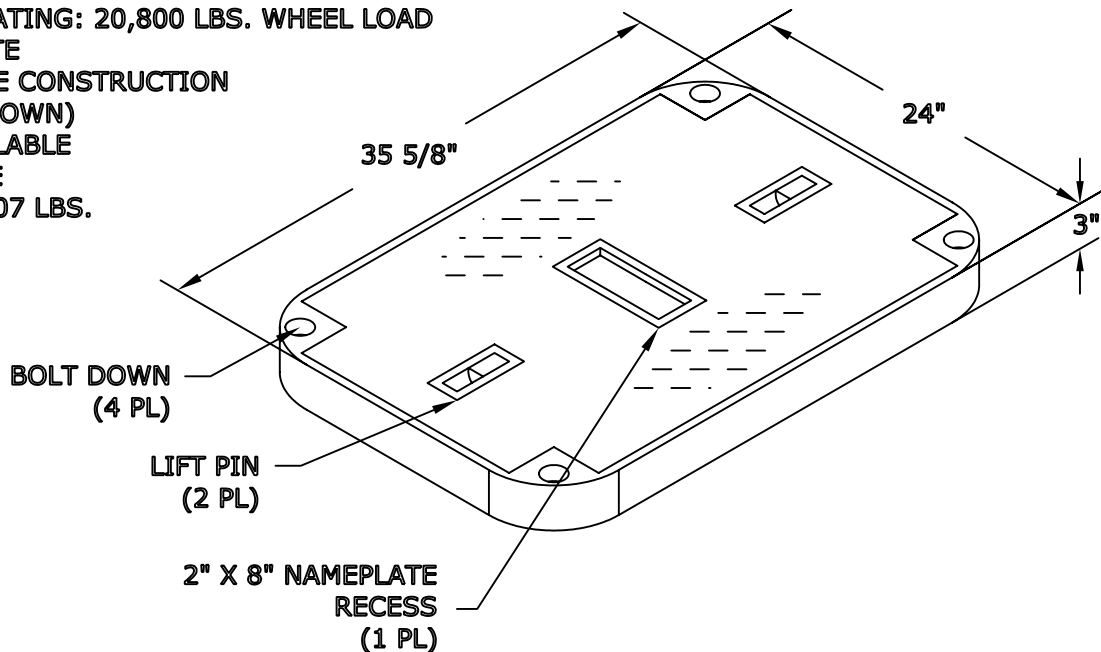


Date: 08/07/06  
Model #: FCA243624S

2436/24 FRP/PC  
ASSEMBLY

**COVER FEATURES:**

- \* STANDARD LOAD RATING: 20,800 LBS. WHEEL LOAD ON A 10" X 20" PLATE
- \* POLYMER CONCRETE CONSTRUCTION
- \* 4 BOLT DOWNS (SHOWN)  
2 BOLT DOWN AVAILABLE
- \* NON-SKID SURFACE
- \* APPROX. WEIGHT 107 LBS.



**BOX FEATURES:**

- \* POLYMER CONCRETE RING
- \* FIBER REINFORCED POLYMER BODY
- \* COLOR OF RING = CONCRETE GREY
- \* APPROX. WEIGHT 90 LBS.

