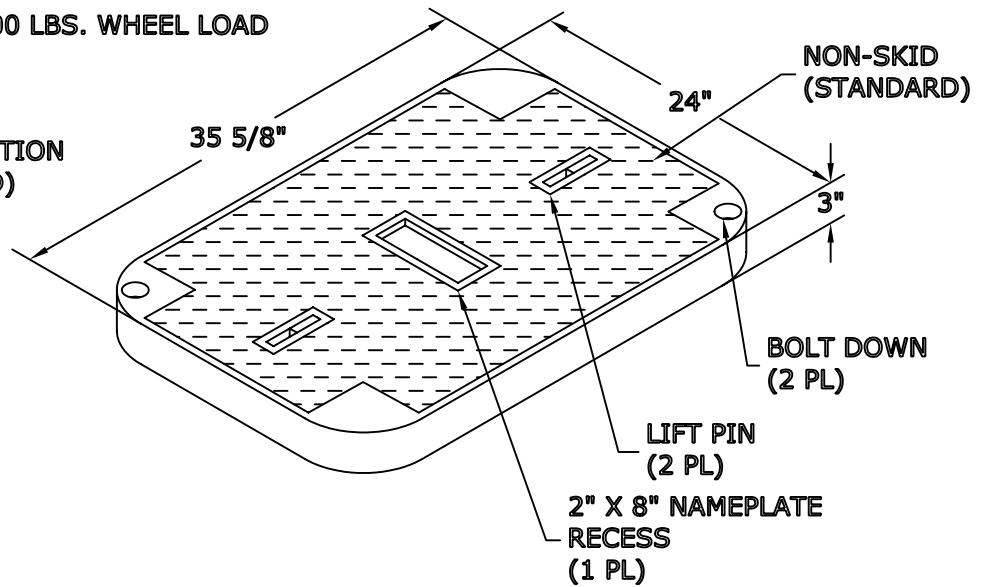


Date: 08/07/06  
Model #: FCA243626T

2436/26 FRP/PC  
ASSEMBLY

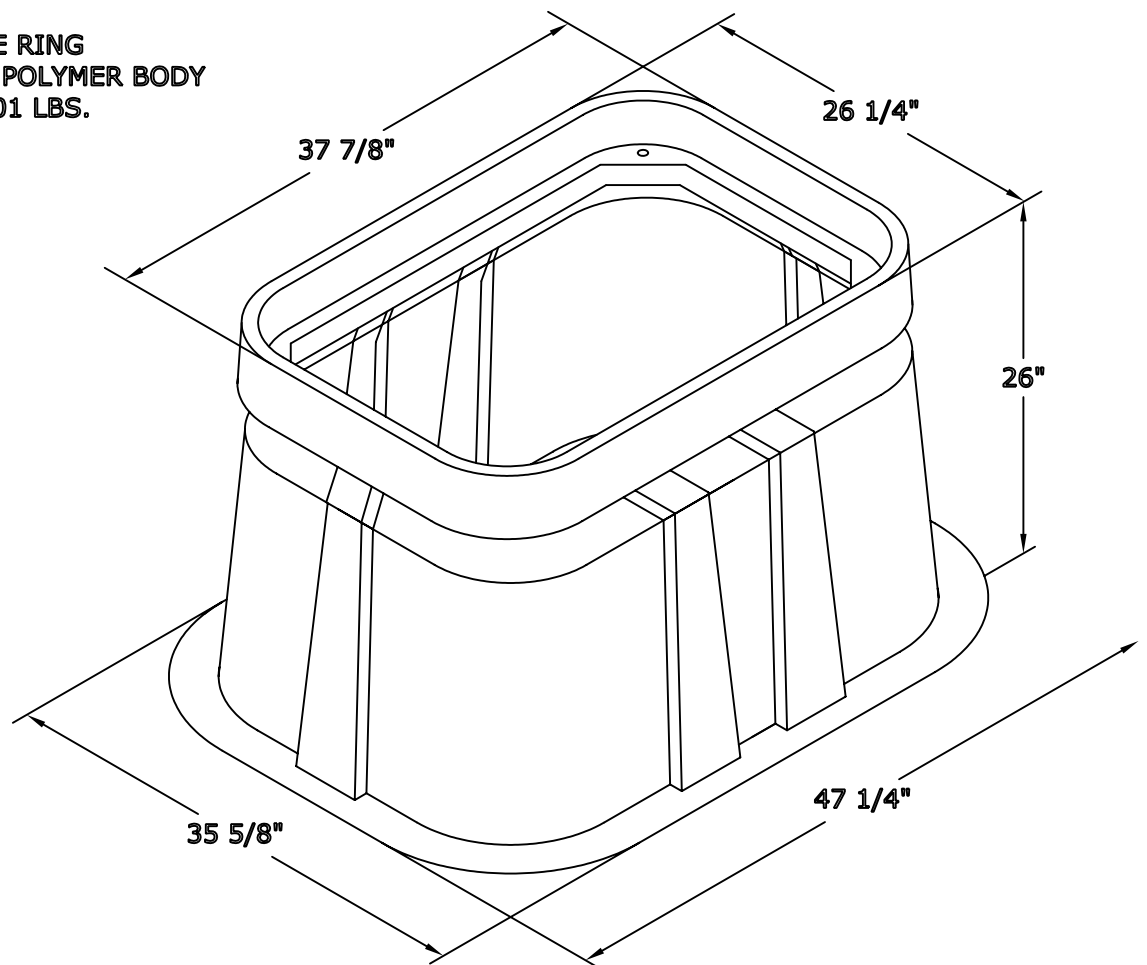
**COVER FEATURES:**

- \* STANDARD LOAD RATING: 20,800 LBS. WHEEL LOAD ON 10" X 20" PLATE
- \* 2 BOLT DOWN LOCATIONS
- \* STAINLESS STEEL BOX INSERTS
- \* POLYMER CONCRETE CONSTRUCTION
- \* NON-SKID SURFACE (STANDARD)
- \* APPROX. WEIGHT 118 LBS.



**BOX FEATURES:**

- \* POLYMER CONCRETE RING
- \* FIBER REINFORCED POLYMER BODY
- \* APPROX. WEIGHT 101 LBS.



NewBasis  
2626 Kansas Ave.  
Riverside, CA 92507

Phone (951)787-0600  
Fax (951)787-0632  
www.newbasis.com

**newbasis**