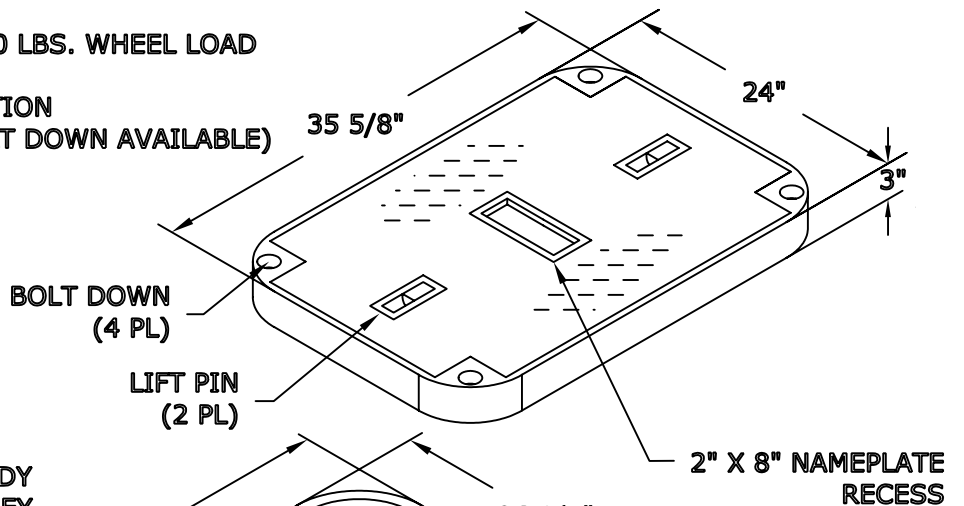


Date: 08/07/06
Model #: FCA243648T

2436/48 FRP/PC ASSEMBLY

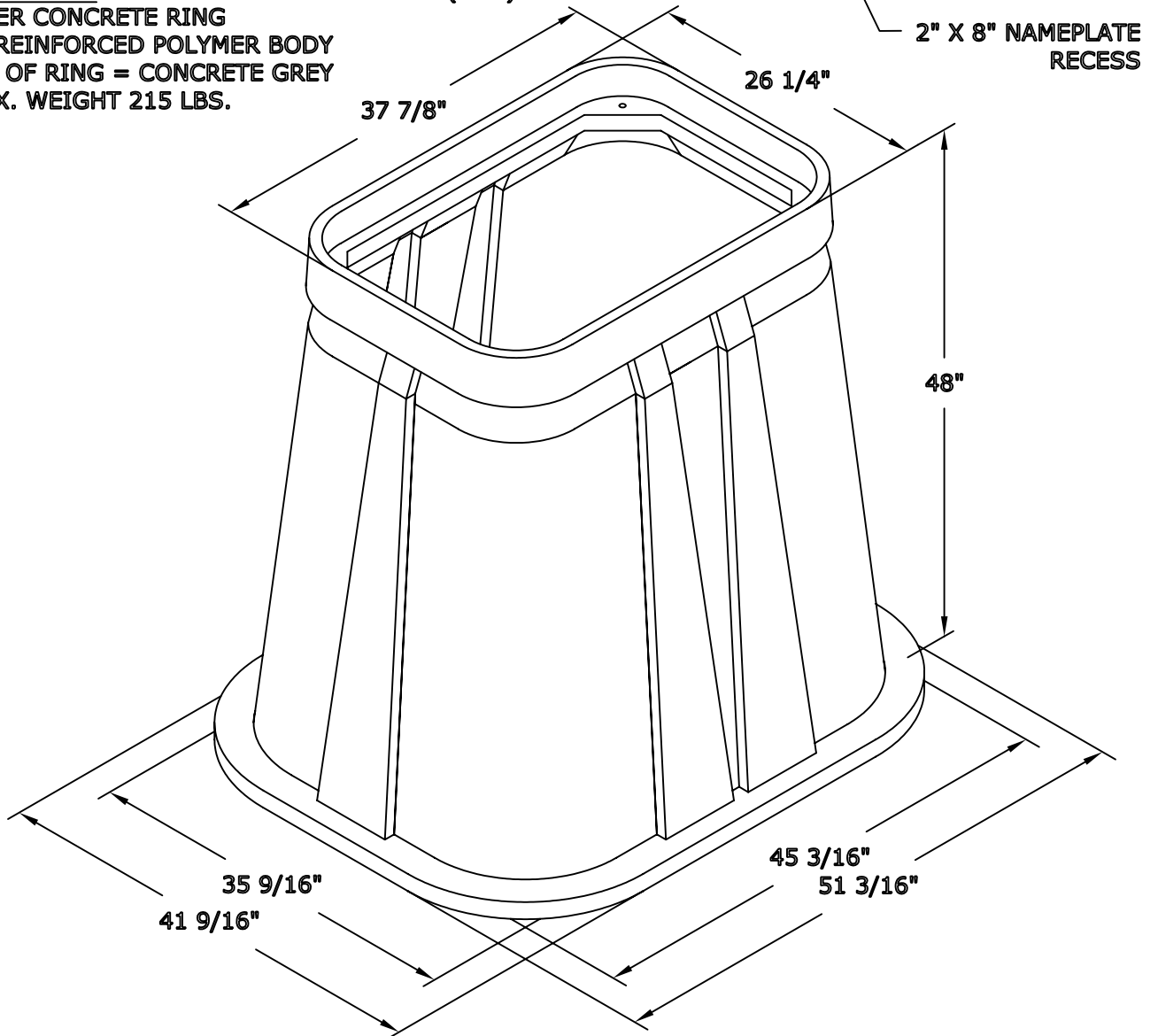
COVER FEATURES:

- * STANDARD LOAD RATING: 20,800 LBS. WHEEL LOAD ON A 10" X 20" PLATE
- * POLYMER CONCRETE CONSTRUCTION
- * 4 BOLTDOWN LOCATIONS (2 BOLT DOWN AVAILABLE)
- * NON-SKID SURFACE
- * APPROX. WEIGHT 107 LBS.



BOX FEATURES:

- * POLYMER CONCRETE RING
- * FIBER REINFORCED POLYMER BODY
- * COLOR OF RING = CONCRETE GREY
- * APPROX. WEIGHT 215 LBS.



NewBasis
2626 Kansas Ave.
Riverside, CA 92507

Phone (951)787-0600
Fax (951)787-0632
www.newbasis.com

newbasis