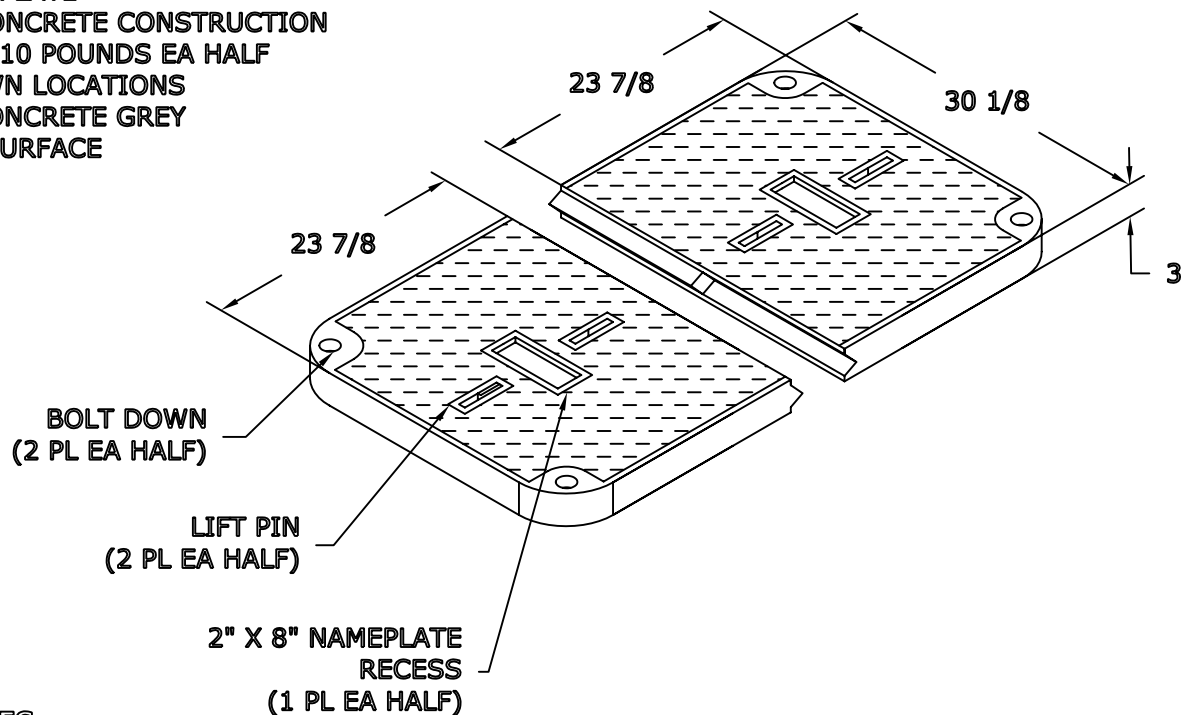


Date: 08/07/06
Model #: FCA304818S

3048/18 FRP/PC
ASSEMBLY

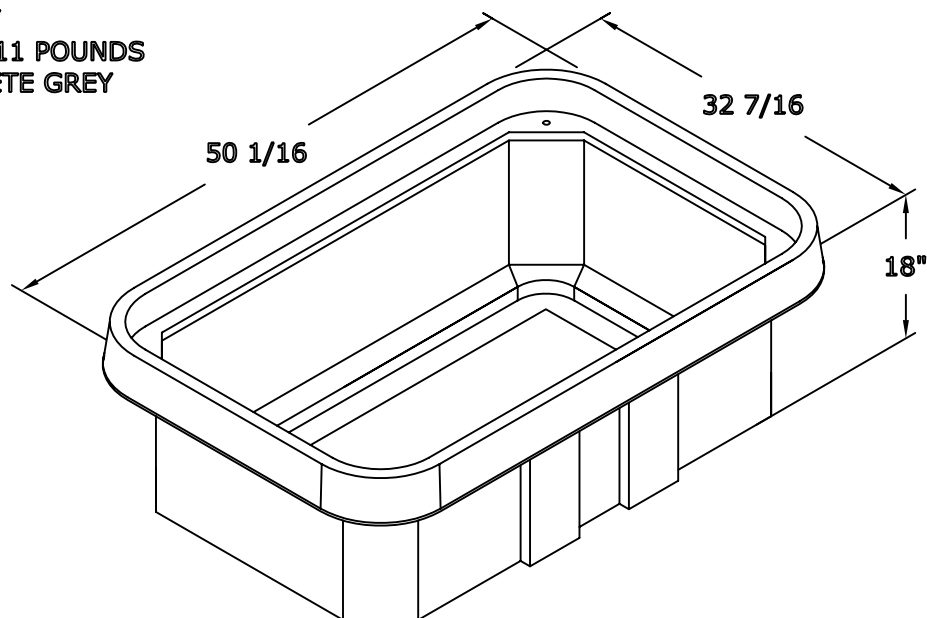
COVER FEATURES:

- * STANDARD LOAD RATING: 20,800 POUND WHEEL LOAD ON 10 X 20 PLATE
- * POLYMER CONCRETE CONSTRUCTION
- * WEIGHT = 110 POUNDS EA HALF
- * 4 BOLT DOWN LOCATIONS
- * COLOR = CONCRETE GREY
- * NON-SKID SURFACE



BOX FEATURES:

- * POLYMER CONCRETE RING
- * FIBERGLASS REINFORCED POLYMER CONCRETE BODY
- * BOX WEIGHT W/ RING = 111 POUNDS
- * COLOR OF RING = CONCRETE GREY



NewBasis
2626 Kansas Ave.
Riverside, CA 92507

Phone (951)787-0600
Fax (951)787-0632
www.newbasis.com

newbasis