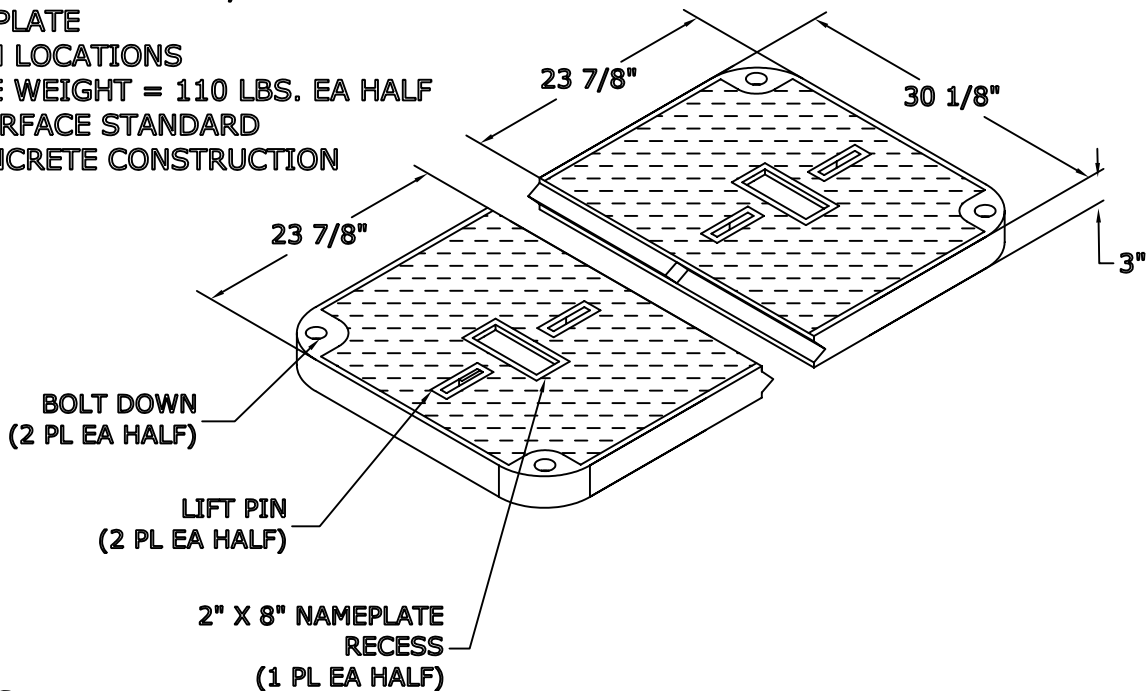


Date: 12/05/06  
Model #: FCA304824S

3048/24 FRP/PC  
ASSEMBLY

**COVER FEATURES:**

- \* STANDARD LOAD RATING: 20,800 LBS WHEEL LOAD ON 10" X 20" PLATE
- \* 4 BOLT DOWN LOCATIONS
- \* APPROXIMATE WEIGHT = 110 LBS. EA HALF
- \* NON-SKID SURFACE STANDARD
- \* POLYMER CONCRETE CONSTRUCTION



**BOX FEATURES:**

- \* POLYMER CONCRETE RING
- \* FIBERGLASS REINFORCED POLYMER CONCRETE BODY
- \* BOX WEIGHT W/ RING = 123 POUNDS
- \* COLOR OF RING = CONCRETE GREY

