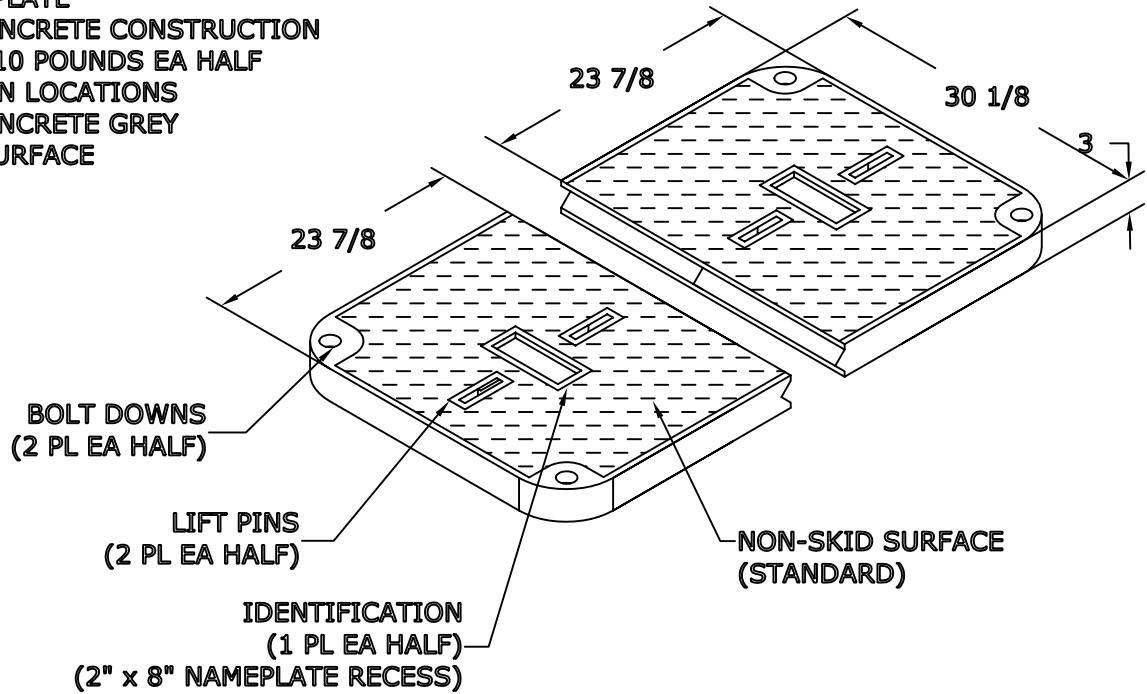


Date: 08/07/06  
Model #: FCA304830S

3048/30 FRP/PC  
ASSEMBLY

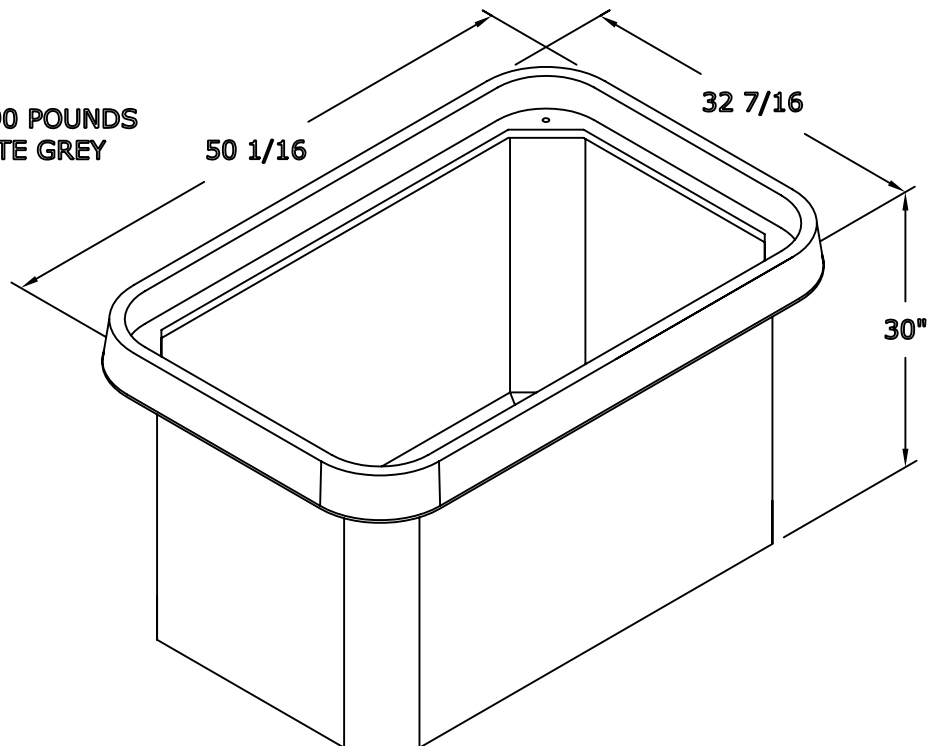
**COVER FEATURES:**

- \* STANDARD LOAD RATING: 20,800 POUND WHEEL LOAD ON 10 X 20 PLATE
- \* POLYMER CONCRETE CONSTRUCTION
- \* WEIGHT = 110 POUNDS EA HALF
- \* 4 BOLT DOWN LOCATIONS
- \* COLOR = CONCRETE GREY
- \* NON-SKID SURFACE



**BOX FEATURES:**

- \* POLYMER CONCRETE RING
- \* FIBERGLASS REINFORCED POLYMER CONCRETE BODY
- \* BOX WEIGHT W/ RING = 190 POUNDS
- \* COLOR OF RING = CONCRETE GREY



NewBasis  
2626 Kansas Ave.  
Riverside, CA 92507

Phone (951)787-0600  
Fax (951)787-0632  
www.newbasis.com

**newbasis**