

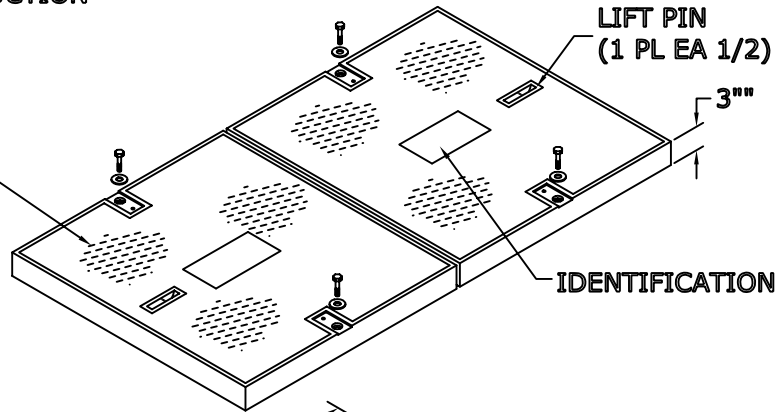
Date: 08/07/06  
Model #: FCA306030X

3060/30 FRP/PC  
ASSEMBLY

**COVER FEATURES:**

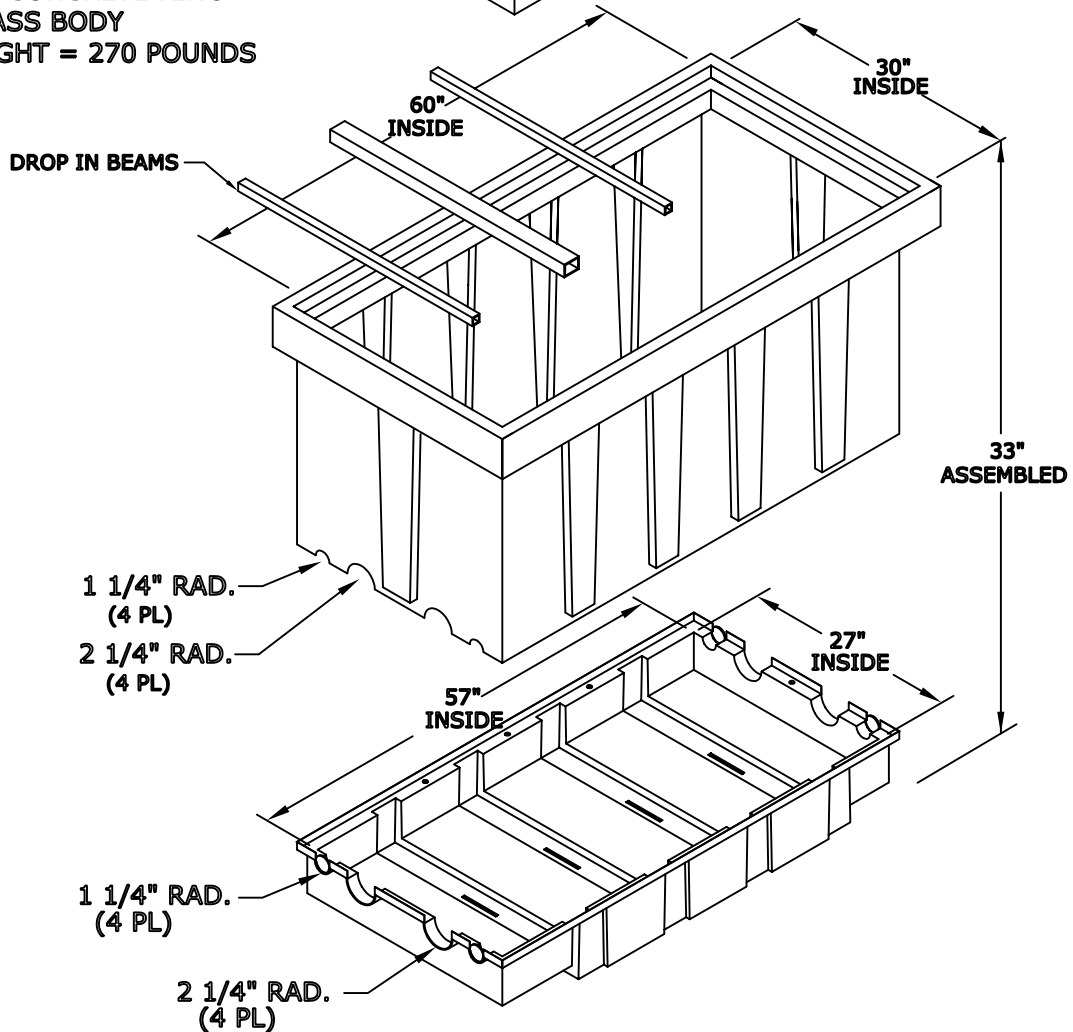
- \* STANDARD LOAD RATING: 20,800 LBS. WHEEL LOAD ON A 10" X 20" PLATE
- \* POLYMER CONCRETE CONSTRUCTION
- \* 4 BOLT DOWN LOCATIONS
- \* COLOR = CONCRETE GREY
- \* WEIGHT: 135 LBS. EA HALF

NON-SKID SURFACE  
(STANDARD)



**BOX FEATURES:**

- \* POLYMER CONCRETE RING
- \* FIBERGLASS BODY
- \* BOX WEIGHT = 270 POUNDS



NewBasis  
2626 Kansas Ave.  
Riverside, CA 92507

Phone (951)787-0600  
Fax (951)787-0632  
www.newbasis.com

**newbasis**