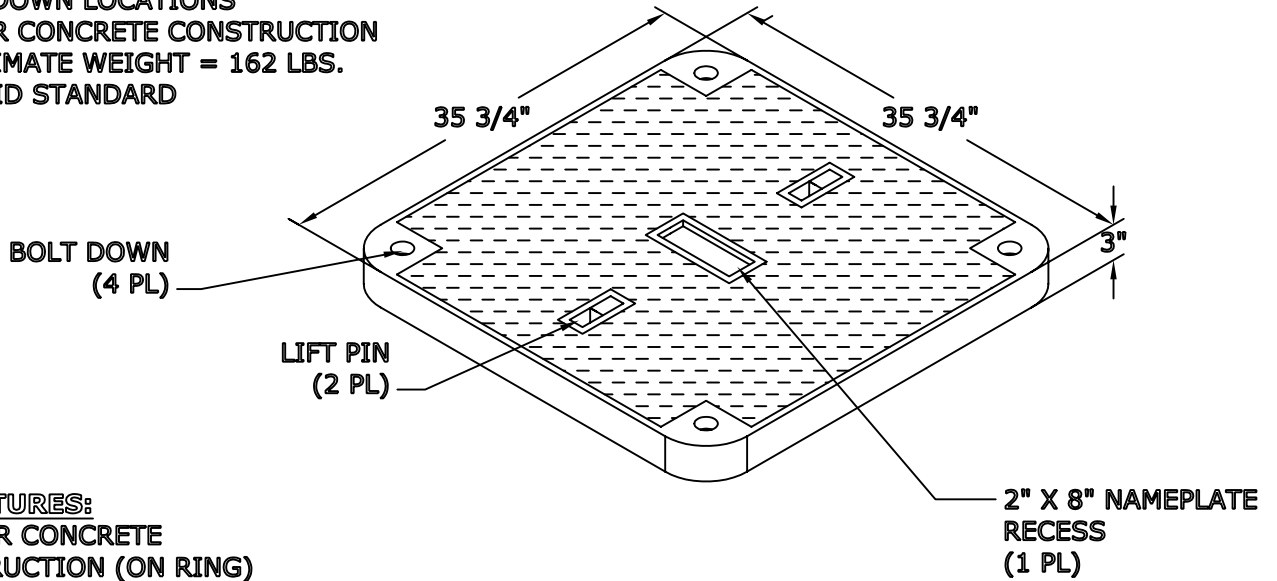


Date: 08/07/06
Model #: FCA363618S

3636/18 FRP/PC
ASSEMBLY

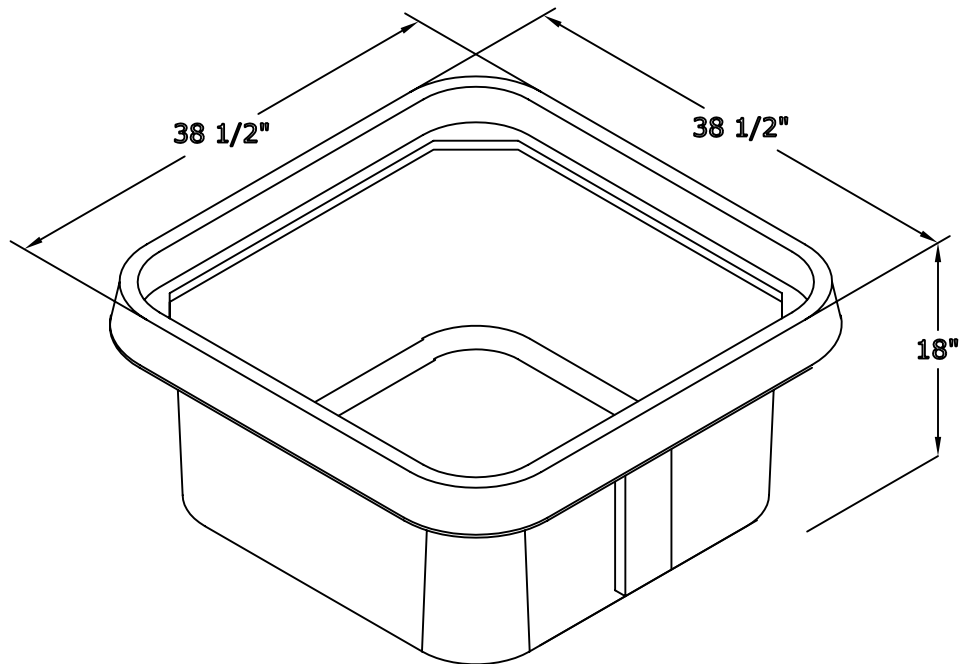
COVER FEATURES:

- * STANDARD LOAD RATING: 20,800 LBS. WHEEL LOAD ON A 10" X 20" PLATE
- * 4 BOLT DOWN LOCATIONS
- * POLYMER CONCRETE CONSTRUCTION
- * APPROXIMATE WEIGHT = 162 LBS.
- * NON-SKID STANDARD



BOX FEATURES:

- * POLYMER CONCRETE CONSTRUCTION (ON RING)
- * FIBER REINFORCED POLYMER BODY
- * APPROXIMATE WEIGHT = 124 LBS.



NewBasis
2626 Kansas Ave.
Riverside, CA 92507

Phone (951)787-0600
Fax (951)787-0632
www.newbasis.com

newbasis