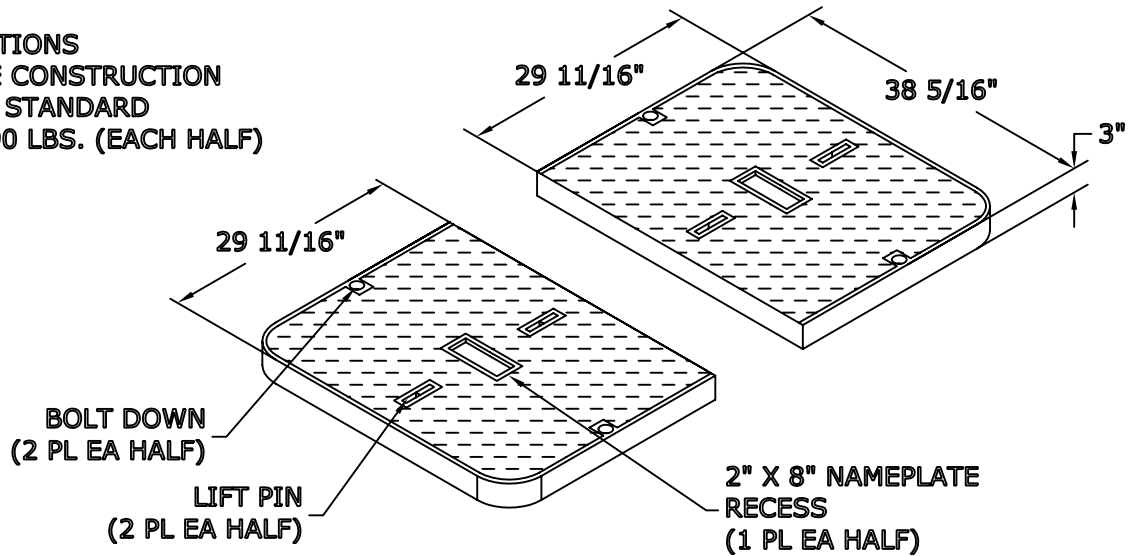


Date: 08/07/06  
Model #: FCA367236T

3672/36 FRP/PC  
ASSEMBLY

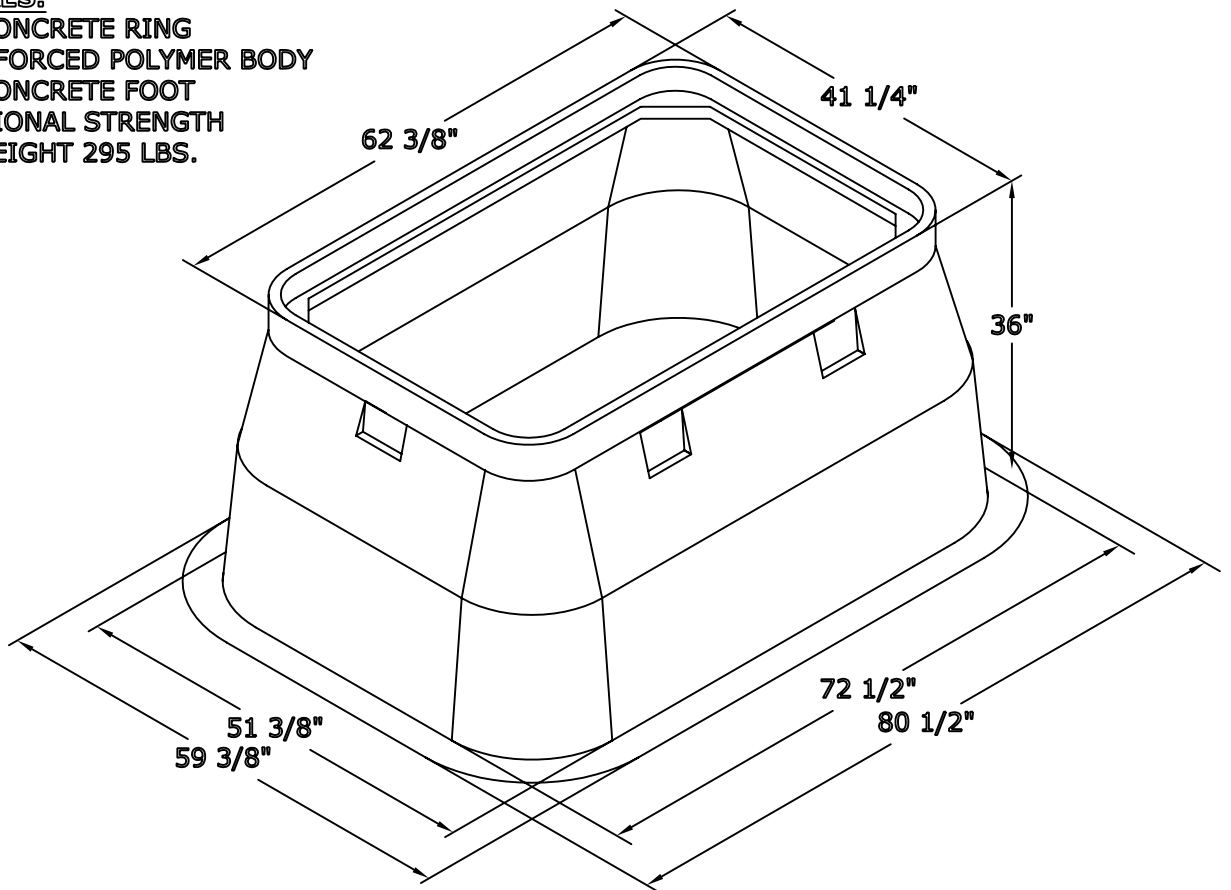
**COVER FEATURES:**

- \* STANDARD LOAD RATING: 20,800 LBS. WHEEL LOAD ON 10" X 20" PLATE
- \* 4 BOLT DOWN LOCATIONS
- \* POLYMER CONCRETE CONSTRUCTION
- \* NON-SKID SURFACE STANDARD
- \* APPROX. WEIGHT 190 LBS. (EACH HALF)



**BOX FEATURES:**

- \* POLYMER CONCRETE RING
- \* FIBER REINFORCED POLYMER BODY
- \* POLYMER CONCRETE FOOT FOR ADDITIONAL STRENGTH
- \* APPROX. WEIGHT 295 LBS.



NewBasis  
2626 Kansas Ave.  
Riverside, CA 92507

Phone (951)787-0600  
Fax (951)787-0632  
www.newbasis.com

**newbasis**