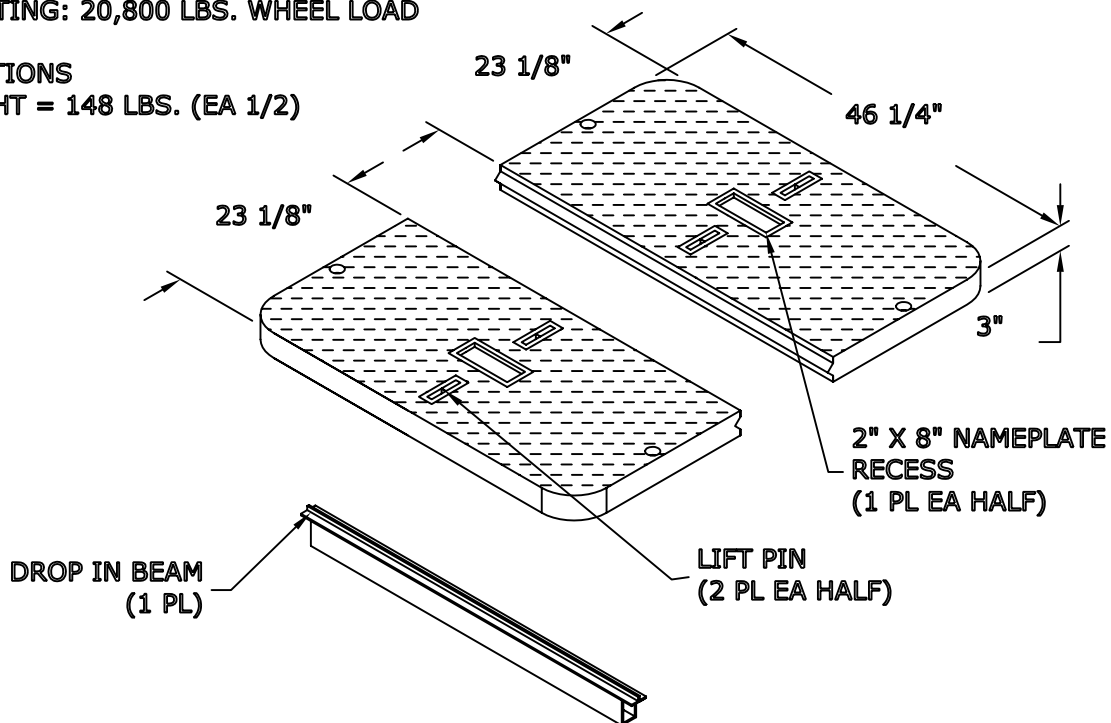


Date: 08/07/06
Model #: FCA484848S

4848/48 FRP/PC
ASSEMBLY

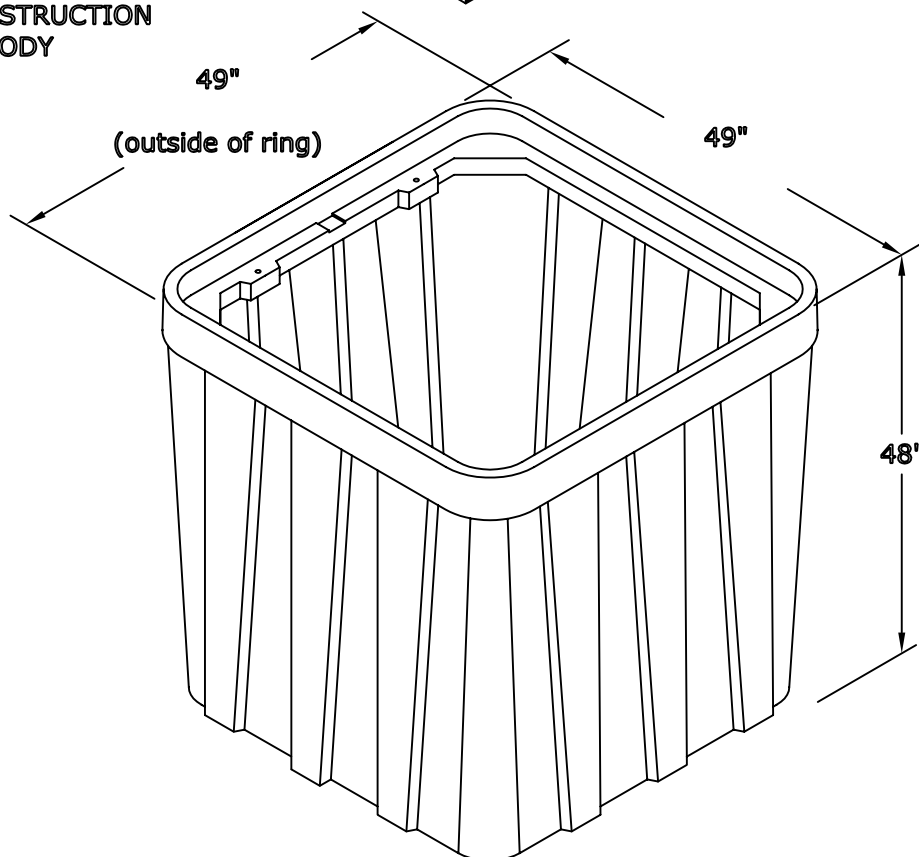
COVER FEATURES:

- * STANDARD LOAD RATING: 20,800 LBS. WHEEL LOAD ON 10" X 20" PLATE
- * 4 BOLT DOWN LOCATIONS
- * APPROXIMATE WEIGHT = 148 LBS. (EA 1/2)
- * NON-SKID SURFACE



BOX FEATURES:

- * POLYMER CONCRETE RING CONSTRUCTION
- * FIBER REINFORCED POLYMER BODY
- * NO FLOOR
- * APPROX. WEIGHT 425 LBS.



NewBasis
2626 Kansas Ave.
Riverside, CA 92507

Phone (951)787-0600
Fax (951)787-0632
www.newbasis.com

newbasis