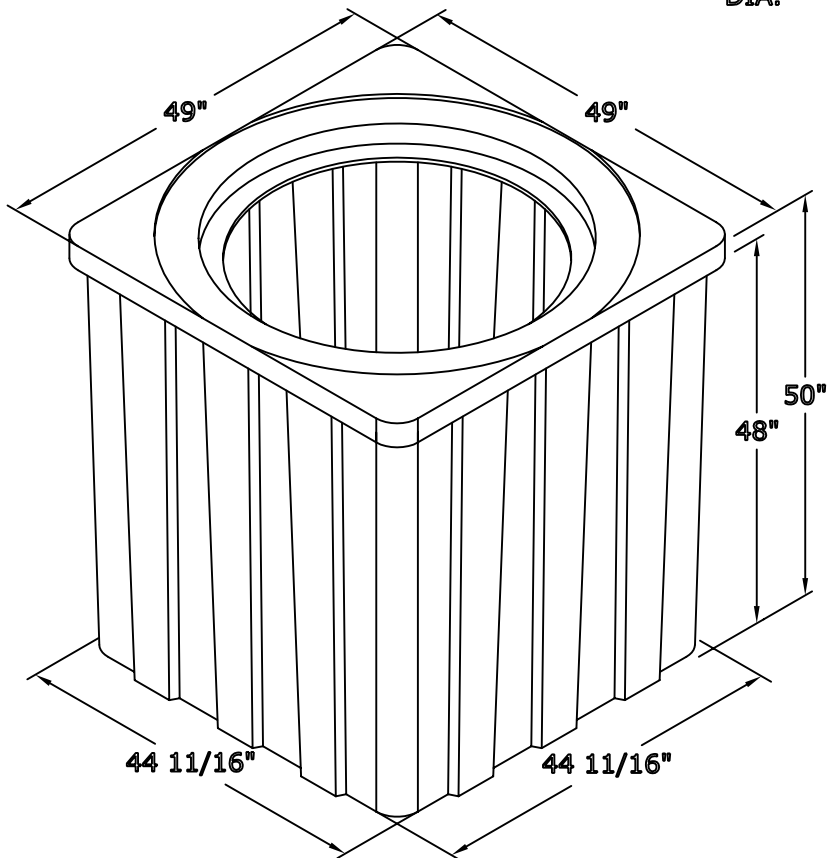
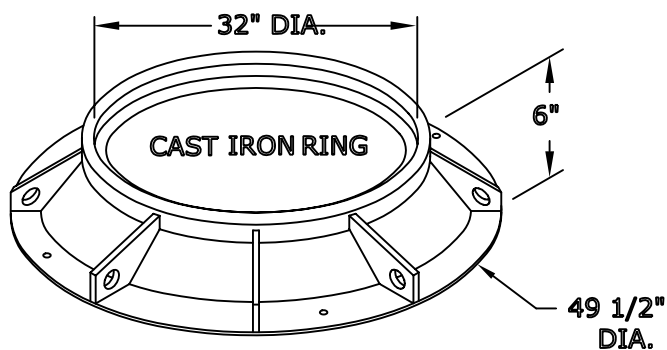
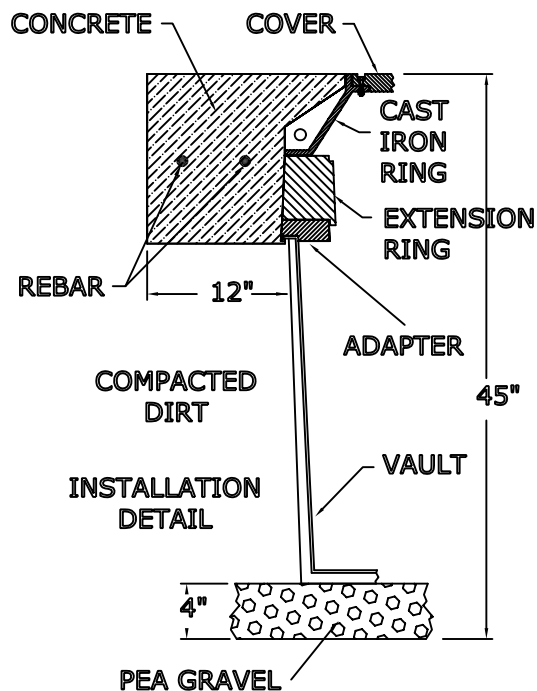
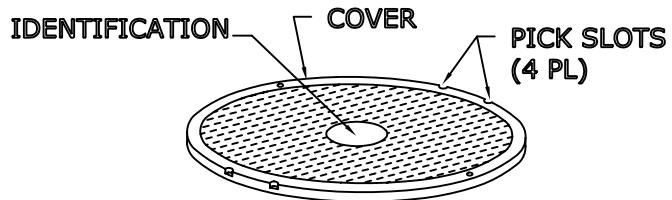


Date: 8/07/06  
Model #: FCA484848SN45

4848/48 FRP/PC  
ASSEMBLY  
CAST IRON RING & COVER

**FEATURES & BENEFITS:**

- \* CAST IRON CONSTRUCTION FOR MAXIMUM LOAD
- \* ROUND LID CANNOT FALL THROUGH OPENING
- \* PROOF TESTED TO 45,000 LBS.
- \* STATIC LOADING PER AASHTO H20 OR HS20
- \* RATED SURCHARGE



**BOX FEATURES:**

- \* POLYMER CONCRETE SLAB TOP
- \* FIBER REINFORCED POLYMER BODY
- \* NO FLOOR
- \* APPROX. WEIGHT 440 LBS.

NewBasis  
2626 Kansas Ave.  
Riverside, CA 92507

Phone (951)787-0600  
Fax (951)787-0632  
www.newbasis.com

**newbasis**