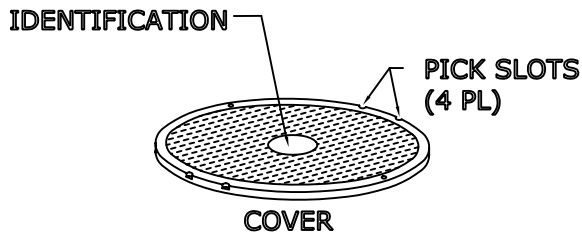


Date: 10/30/06  
Model #: FCA484860SN45

4848/60 MANHOLE ASSEMBLY  
45K NON-DELIBERATE TRAFFIC  
LOADING WITH 6" CAST IRON

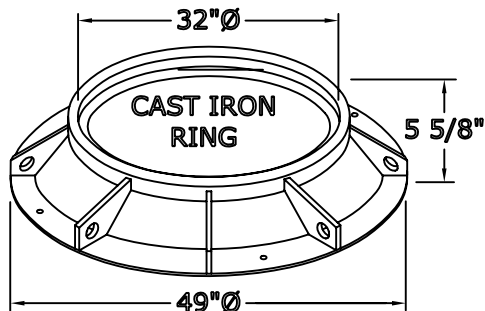
COVER FEATURES:

- \* ROUND COVER (WILL NOT FALL)
- \* APPROXIMATE WEIGHT = 300 LBS.
- \* (2) 1/2" STAINLESS STEEL FASTENERS
- \* CAST IRON SB-30 SERIES
- \* NON-SKID SURFACE STANDARD
- \* IDENTIFICATION/ LOGO (1 PL)



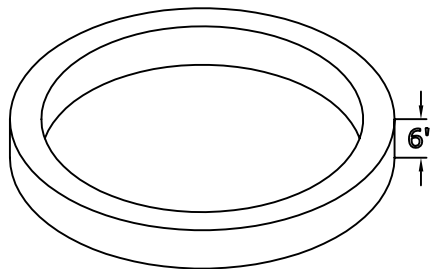
RING FEATURES:

- \* CAST IRON SB-30 SERIES
- \* APPROXIMATE WEIGHT = 344 LBS



EXTENTION RING FEATURES:

- \* POLYMER CONCRETE CONSTRUCTION
- \* APPROXIMATE WEIGHT = 300 LBS



BOX FEATURES:

- \* FIBER REINFORCED POLYMER BODY.
- \* WHEN ASSEMBLED (BOX & SLAB)  
APPROX. WEIGHT = 450 LBS.
- \* INTEGRAL FLOOR W/ 6' SUMP

