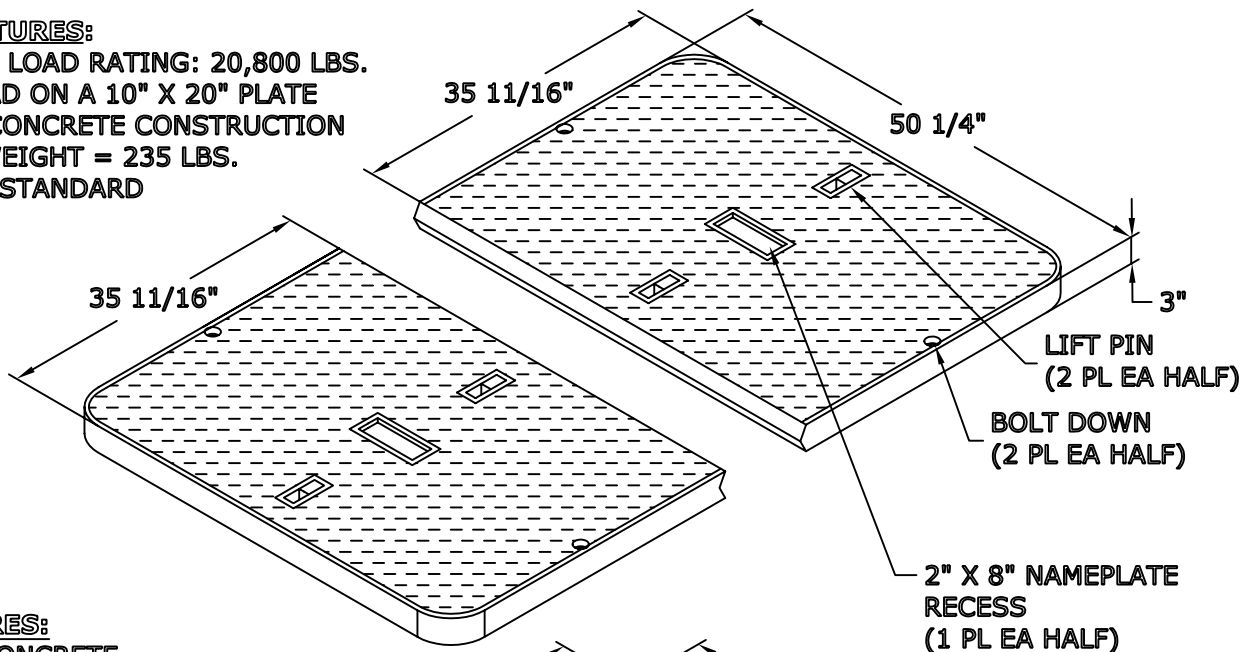


Date: 08/07/06
Model #: FCA487230T

4882/30 FRP/PC
ASSEMBLY

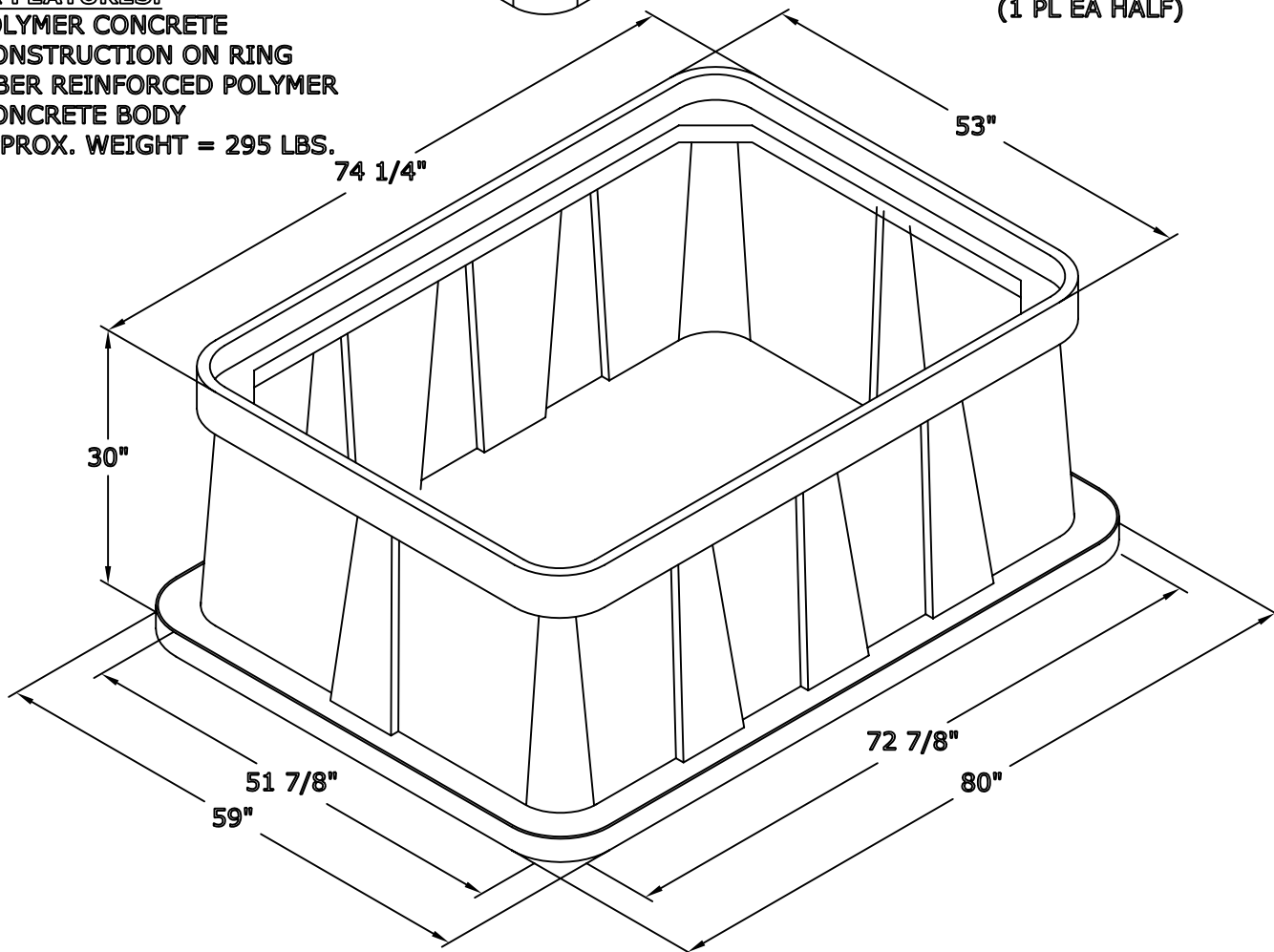
COVER FEATURES:

- * STANDARD LOAD RATING: 20,800 LBS.
WHEEL LOAD ON A 10" X 20" PLATE
- * POLYMER CONCRETE CONSTRUCTION
- * APPROX. WEIGHT = 235 LBS.
- * NON-SKID STANDARD



BOX FEATURES:

- * POLYMER CONCRETE CONSTRUCTION ON RING
- * FIBER REINFORCED POLYMER CONCRETE BODY
- * APPROX. WEIGHT = 295 LBS.



NewBasis
2626 Kansas Ave.
Riverside, CA 92507

Phone (951)787-0600
Fax (951)787-0632
www.newbasis.com

newbasis