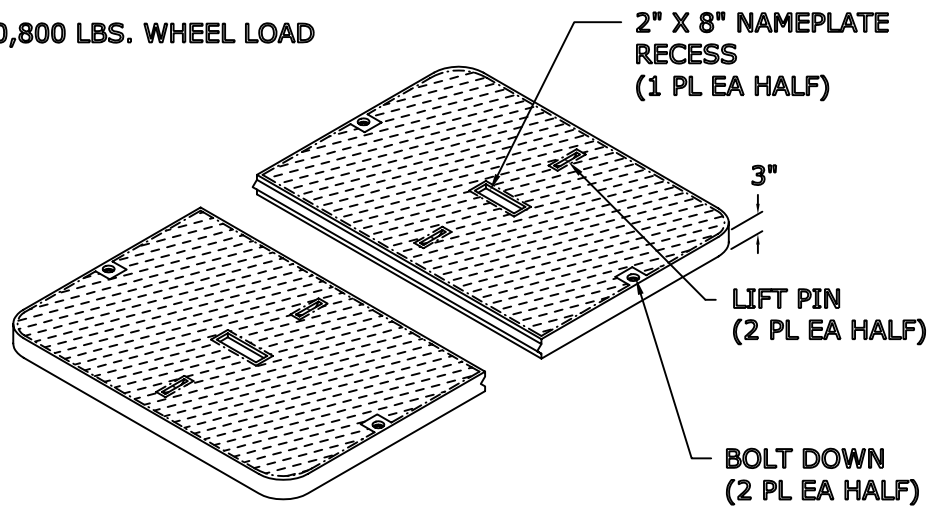


Date: 08/07/06
Model #: FCA487236T

4882/36 FRP/PC
ASSEMBLY

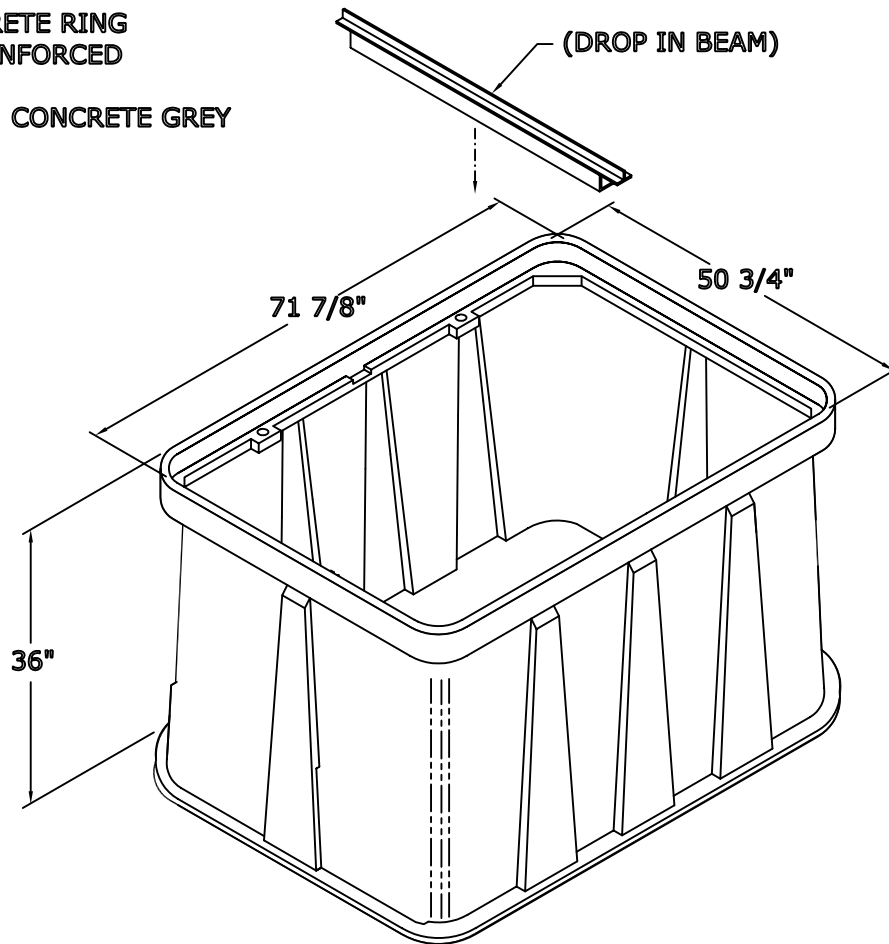
COVER FEATURES:

- * STANDARD LOAD RATING: 20,800 LBS. WHEEL LOAD ON A 10" X 20" PLATE
- * POLYMER CONCRETE
- * 4 BOLT DOWN LOCATIONS
- * COLOR CONCRETE GREY
- * NON-SKID SURFACE



BOX FEATURES:

- * POLYMER CONCRETE RING
- * FIBERGLASS REINFORCED POLYMER BODY
- * COLOR OF RING: CONCRETE GREY



NewBasis
2626 Kansas Ave.
Riverside, CA 92507

Phone (951)787-0600
Fax (951)787-0632
www.newbasis.com

newbasis