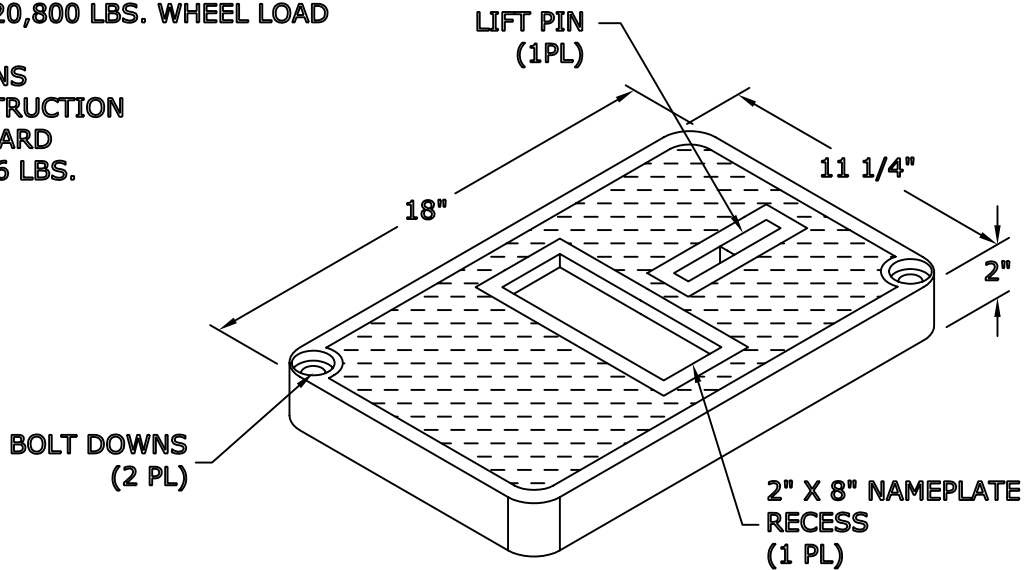


Date: 08/07/06
Model#: PCA111812S

1118/12 ALL POLYMER CONCRETE ASSEMBLY

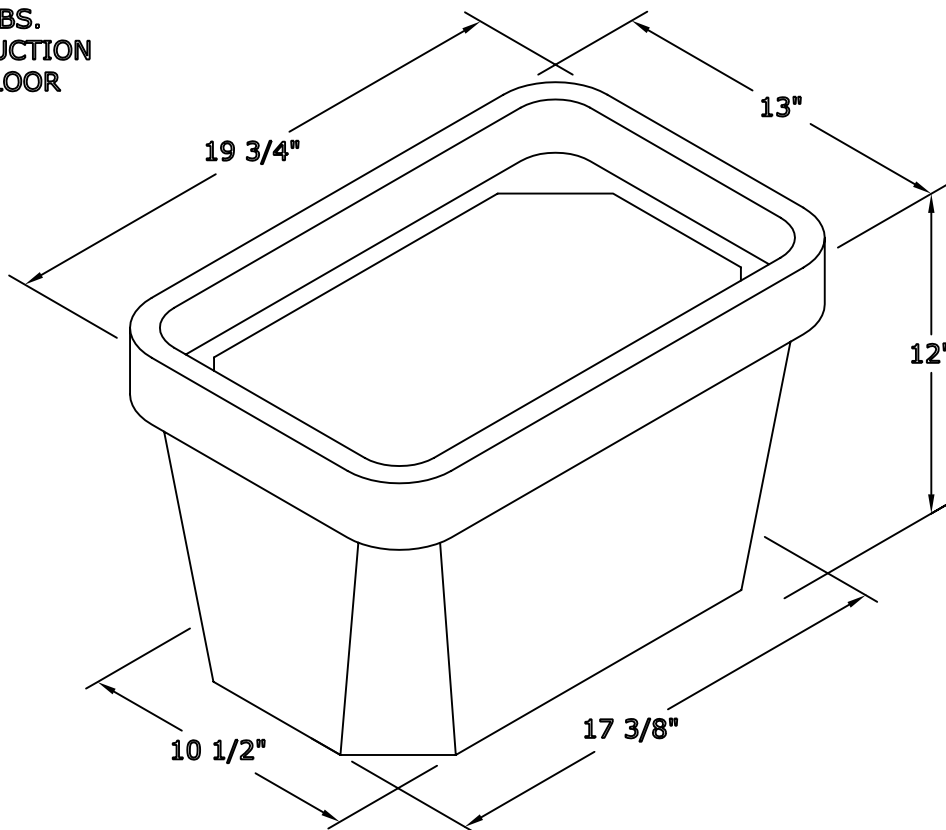
COVER FEATURES:

- * STANDARD LOAD RATING: 20,800 LBS. WHEEL LOAD ON 10" X 20" PLATE
- * TWO BOLT DOWN LOCATIONS
- * POLYMER CONCRETE CONSTRUCTION
- * NON-SKID SURFACE STANDARD
- * APPROXIMATE WEIGHT = 26 LBS.



BOX FEATURES:

- * APPROXIMATE WEIGHT = 42 LBS.
- * POLYMER CONCRETE CONSTRUCTION
- * AVAILABLE WITH INTEGRAL FLOOR



NewBasis
2626 Kansas Ave.
Riverside, CA 92507

Phone (951)787-0600
Fax (951)787-0632
www.newbasis.com

newbasis