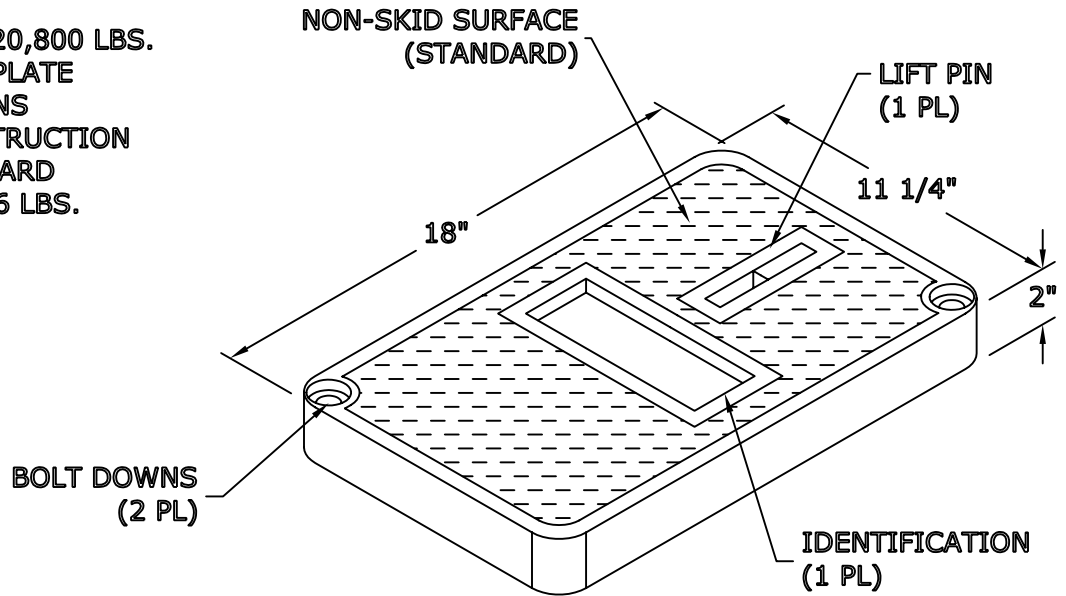


Date: 08/07/06
Model #: PCA111818S

1118/18 ALL POLYMER CONCRETE ASSEMBLY

COVER FEATURES:

- * STANDARD LOAD RATING: 20,800 LBS.
WHEEL LOAD ON 10" X 20" PLATE
- * TWO BOLT DOWN LOCATIONS
- * POLYMER CONCRETE CONSTRUCTION
- * NON-SKID SURFACE STANDARD
- * APPROXIMATE WEIGHT = 26 LBS.



BOX FEATURES:

- * APPROXIMATE WEIGHT = 58 LBS.
- * POLYMER CONCRETE CONSTRUCTION
- * AVAILABLE WITH INTEGRAL FLOOR

