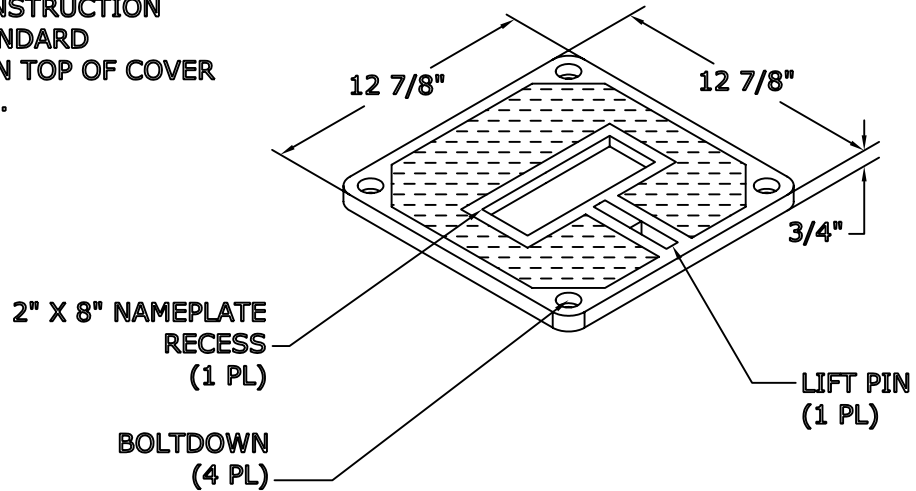


Date: 08/07/06
Model #: PCA121224S

1212/24 20K POLYMER CONCRETE ASSEMBLY

COVER FEATURES:

- * STANDARD LOAD RATING: 20,800 LBS. WHEEL LOAD ON 10" X 20" PLATE
- * 4 BOLTDOWN LOCATIONS
- * STAINLESS STEEL BOX INSERTS
- * POLYMER CONCRETE CONSTRUCTION
- * NON-SKID SURFACE STANDARD
- * 20K TO BE EMBOSSED ON TOP OF COVER
- * APPROX. WEIGHT 10 LBS.



BOX FEATURES:

- * POLYMER CONCRETE CONSTRUCTION
- * COLOR = CONCRETE GREY
- * APPROX. WEIGHT 53 LBS.

