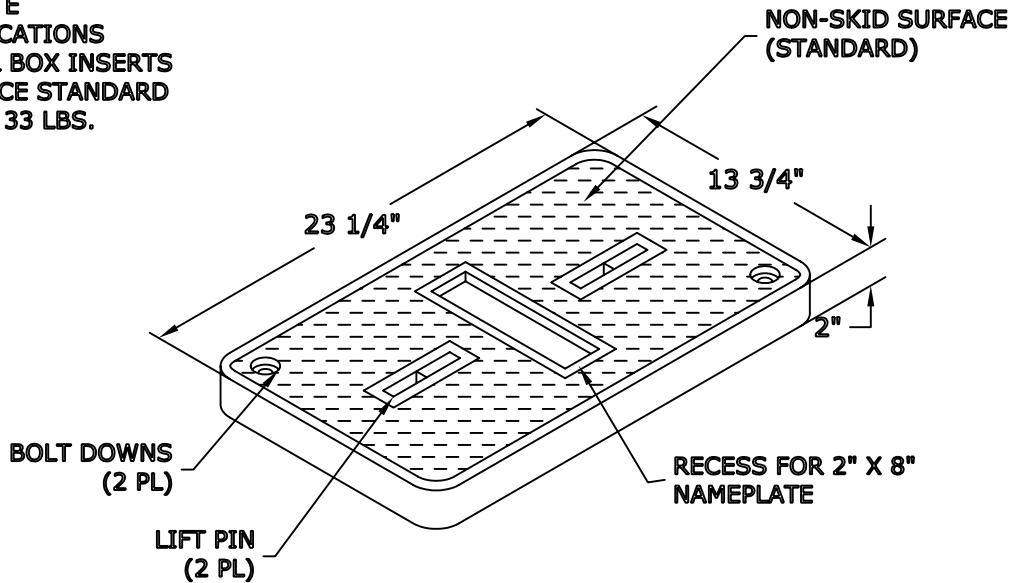


Date: 08/07/06  
Model #: PCA132418S

1324/18 ALL POLYMER  
CONCRETE

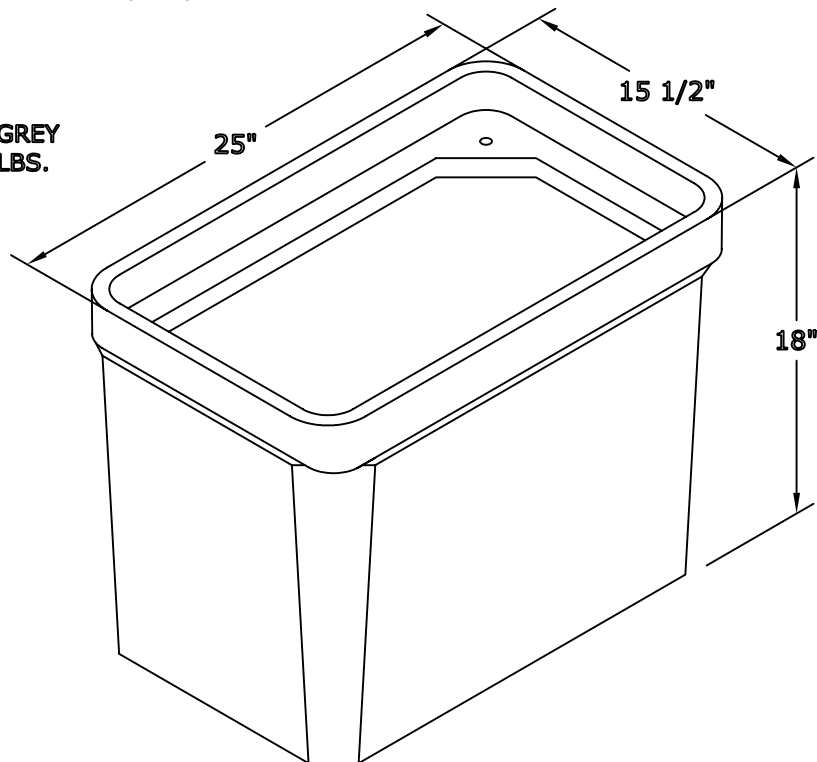
**COVER FEATURES:**

- \* STANDARD LOAD RATING: 20,800 LBS. WHEEL LOAD ON 10" X 20" PLATE
- \* 2 BOLT DOWN LOCATIONS
- \* STAINLESS STEEL BOX INSERTS
- \* NON-SKID SURFACE STANDARD
- \* APPROX. WEIGHT 33 LBS.



**BOX FEATURES:**

- \* POLYMER CONCRETE CONSTRUCTION
- \* COLOR = CONCRETE GREY
- \* APPROX. WEIGHT 65 LBS.



NewBasis  
2626 Kansas Ave.  
Riverside, CA 92507

Phone (951)787-0600  
Fax (951)787-0632  
www.newbasis.com

**newbasis**