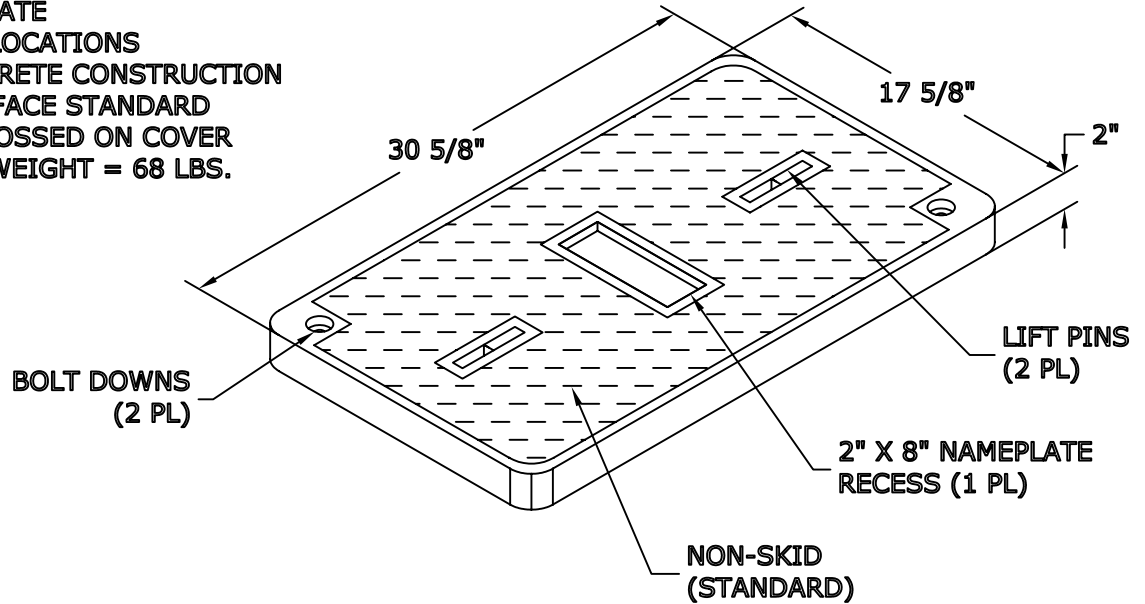


Date: 08/07/06
Model #: PCA173018S
DWG #: PCA173018S

1730/18 POLYMER CONCRETE ASSEMBLY

COVER FEATURES:

- * STANDARD LOAD RATING: 20,800 LBS. WHEEL LOAD ON 10" X 20" PLATE
- * 2 BOLT DOWN LOCATIONS
- * POLYMER CONCRETE CONSTRUCTION
- * NON-SKID SURFACE STANDARD
- * 20K TO BE EMBOSSED ON COVER
- * APPROXIMATE WEIGHT = 68 LBS.



BOX FEATURES:

- * POLYMER CONCRETE CONSTRUCTION
- * STACKABLE FOOT
- * APPROX. WEIGHT 113 LBS.

