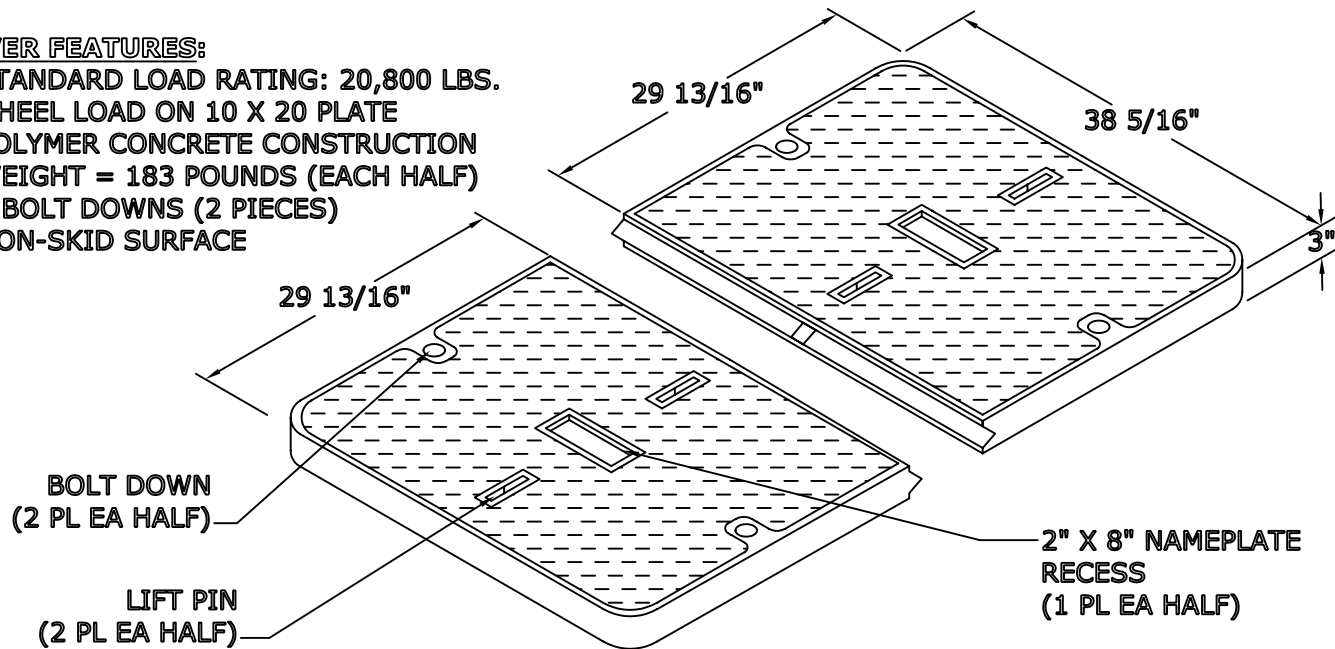


Date: 08/07/06  
Model #: PCA366036S

### 3660/36 POLYMER CONCRETE ASSEMBLY

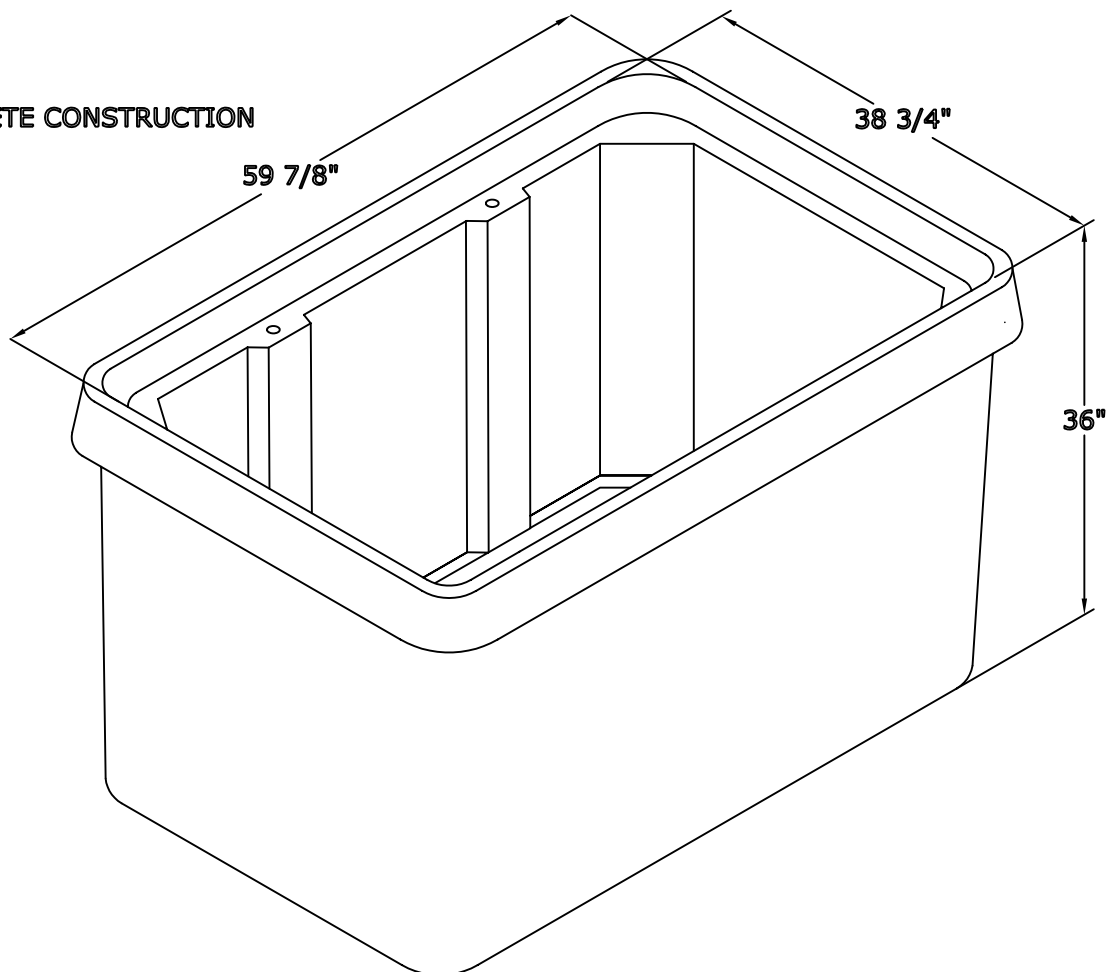
**COVER FEATURES:**

- \* STANDARD LOAD RATING: 20,800 LBS. WHEEL LOAD ON 10 X 20 PLATE
- \* POLYMER CONCRETE CONSTRUCTION
- \* WEIGHT = 183 POUNDS (EACH HALF)
- \* 4 BOLT DOWNS (2 PIECES)
- \* NON-SKID SURFACE



**BOX FEATURES:**

- \* POLYMER CONCRETE CONSTRUCTION
- \* STACKABLE



NewBasis  
2626 Kansas Ave.  
Riverside, CA 92507

Phone 951.787.0600  
Fax 951.787.0632  
www.newbasis.com

**newbasis**