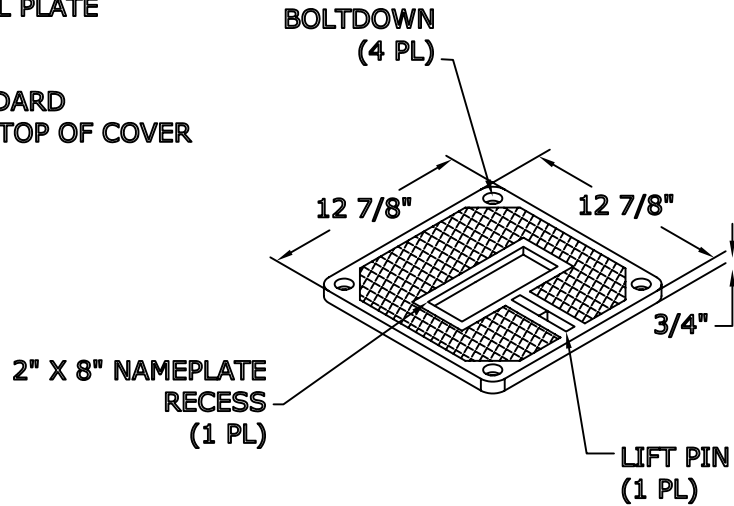


Date: 06/05/07
Model #: PMA121224T

1212/24
POLYMER CONCRETE /SMC
ASSEMBLY

COVER FEATURES:

- * STANDARD LOAD RATING: 20,800 LBS. WHEEL LOAD ON A 10" X 20" STEEL PLATE
- * 4 BOLT DOWN LOCATIONS
- * SMC CONSTRUCTION
- * NON-SKID SURFACE STANDARD
- * 20K TO BE EMBOSSED ON TOP OF COVER
- * GASKET LINING
- * APPROX. WEIGHT 6 LBS.



BOX FEATURES:

- * POLYMER CONCRETE CONSTRUCTION
- * LIGHTWEIGHT
- * APPROXIMATE WEIGHT = 55 LBS.

