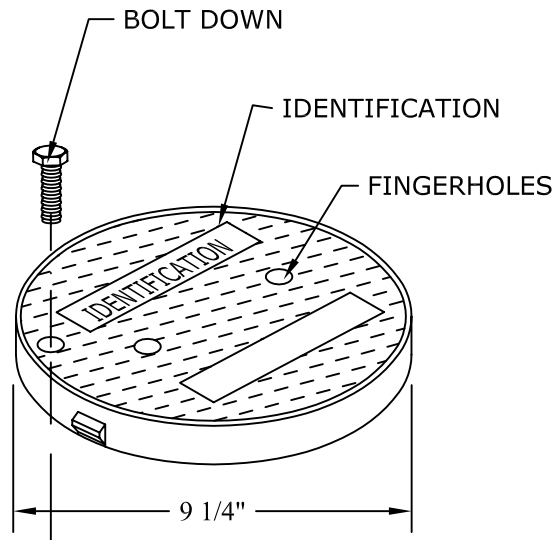


Date: 10/27/06
Model #: SGA100010

1000/10 SF ASSEMBLY

COVER FEATURES:

- * AVAILABLE IN TWIST LOCK OR BOLT DOWN
- * COLOR: GREEN OR GREY
- * MATERIAL: HDPE
- * EMS AVAILABLE CAST INTO COVER
- * APPROX. WEIGHT 1 LB.
- * 5,000 LB. LOAD RATING



BOX FEATURES:

- * COLOR: GREEN OR GREY
- * MATERIAL: HDPE
- * APPROX. WEIGHT 2 1/2 LBS.

