

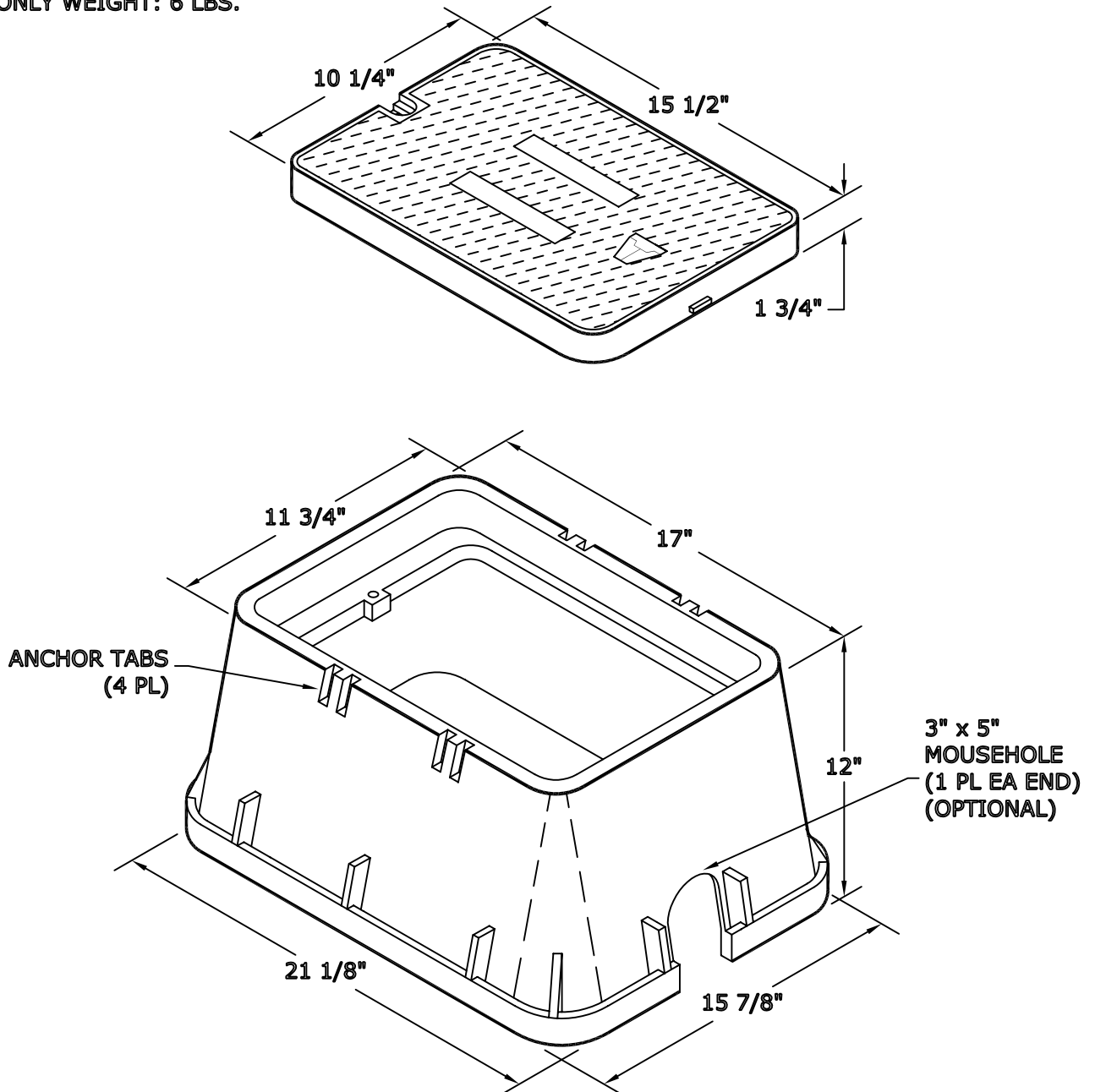
Date: 10/21/02  
Part #: SGA141912

1419/12  
STRUCTURAL FOAM  
ASSEMBLY

STRUCTURAL PLASTIC

1419 HANDHOLE

- \* BOX COLOR: GREEN
- \* COVER COLOR: GREEN OR GREY
- \* MATERIAL: HDPE
- \* COVER ONLY WEIGHT: 3 1/2 LBS.
- \* BOX ONLY WEIGHT: 6 LBS.



NewBasis  
2626 Kansas Ave.  
Riverside, CA 92507

Phone (951)787-0600  
Fax (951)787-0632  
www.newbasis.com

**newbasis**