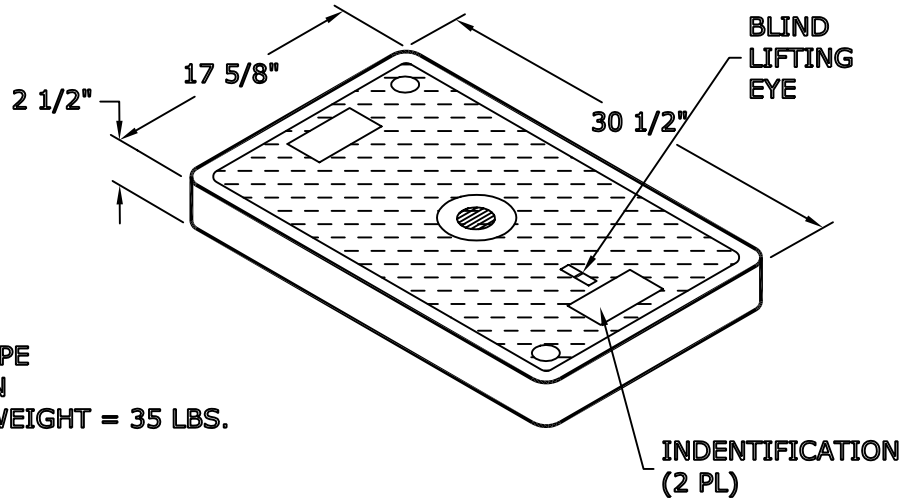


Date: 09/01/06
Model #: SGA173015

1730/15 STRUCTURAL FOAM ASSEMBLY

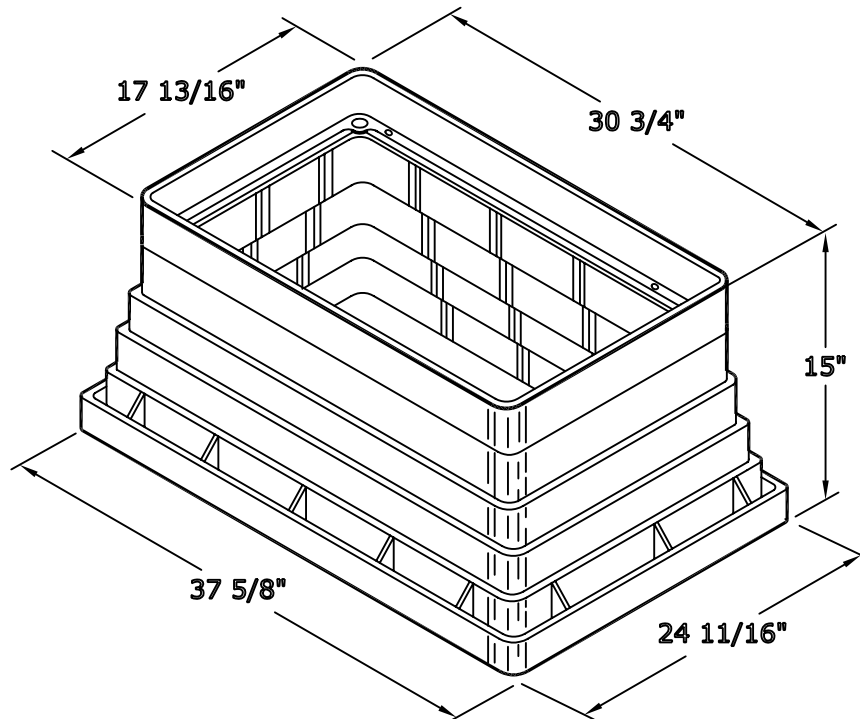
COVER FEATURES:

- * MATERIAL = ABS
- * COLOR = GREEN
- * 3/8" FASTENERS
- * APPROXIMATE WEIGHT = 16 LBS.
- * NON-SKID SURFACE



BOX FEATURES:

- * MATERIAL = HDPE
- * COLOR = GREEN
- * APPROXIMATE WEIGHT = 35 LBS.



NewBasis
2626 Kansas Ave.
Riverside, CA 92507

Phone (951)787-0600
Fax (951)787-0632
www.newbasis.com

newbasis