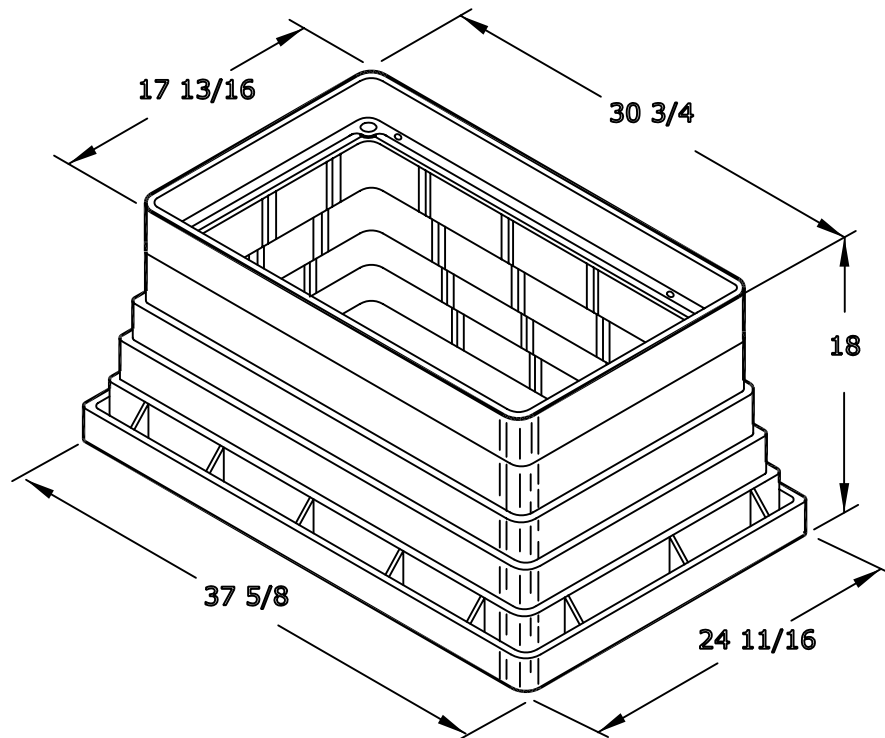
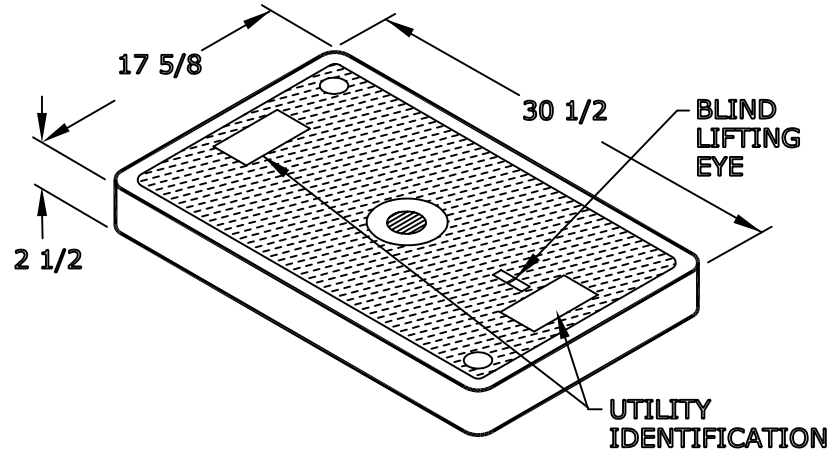


Date: 10/27/06  
Model #: SGA173018

# 1730/18 STRUCTURAL FOAM ASSEMBLY

**STRUCTURAL PLASTIC  
SERIES NO. 1730/18:**

- \* BOX COLOR: GREEN,  
COVER COVER: GREEN OR  
GRAY
- \* MATERIAL: HDPE
- \* COVER LOAD: 300 PSF
- \* COVER WEIGHT: 16 LBS.
- \* BOX WEIGHT: 20 LBS.



DIMENSION (INCH).

NewBasis  
2626 Kansas Ave.  
Riverside, CA 92507

Phone (951)787-0600  
Fax (951)787-0632  
www.newbasis.com

**newbasis**